

ST33 (A831)

This parts catalog is includes MB No. 1 to 3

ST33 (A831)

PARTS CATALOG

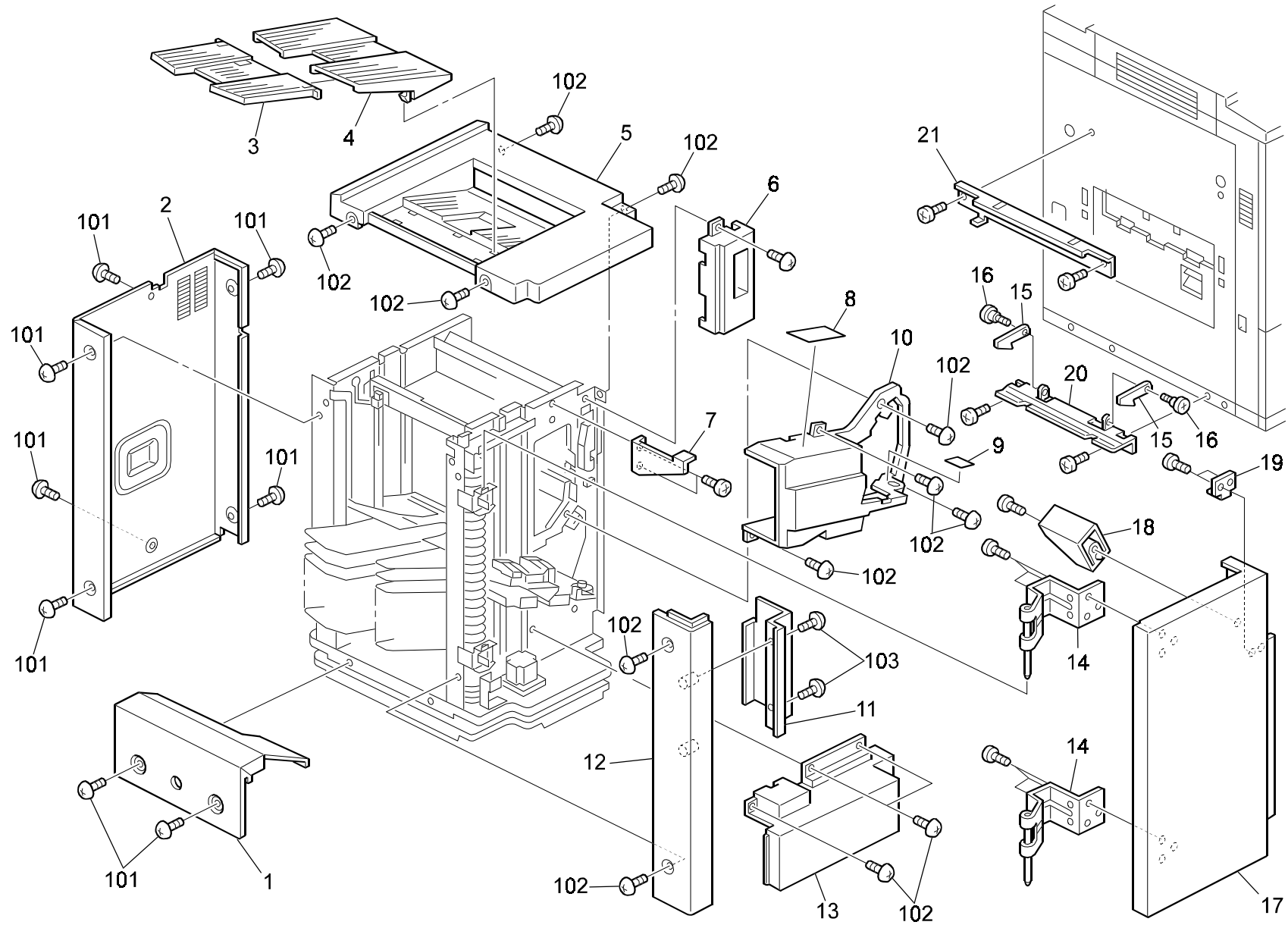
This catalog gives the numbers and names of parts on this machine.

CONTENTS

1.EXTERIOR (A831)	2
2.STAPLEER SECTION 1 (A831).....	4
3.STAPLEER SECTION 2 (A831).....	6
4.STAPLEER SECTION 3 (A831).....	8
5.STAPLEER SECTION 4 (A831).....	10
6.BIB DRIVE SECTION 1 (A831).....	12
7.JOGGER DRIVE SECTION (A831)	14
8.ELECTRICAL SECTION 1 (A831)	16
9.ELECTRICAL SECTION 2 (A831)	18
10.TRANSFER SECTION 1 (A831)	20
11.TRANSFER SECTION 2 (A831)	22
12.TRANSFER SECTION 3 (A831)	24
13.TRANSFER SECTION 4 (A831)	26
14.FRAME SECTION (A831)	28
15.DECAL AND DOCUMENT (A831)	30
PARTS INDEX	33

January ,30 ' 2001

1.EXTERIOR (A831)

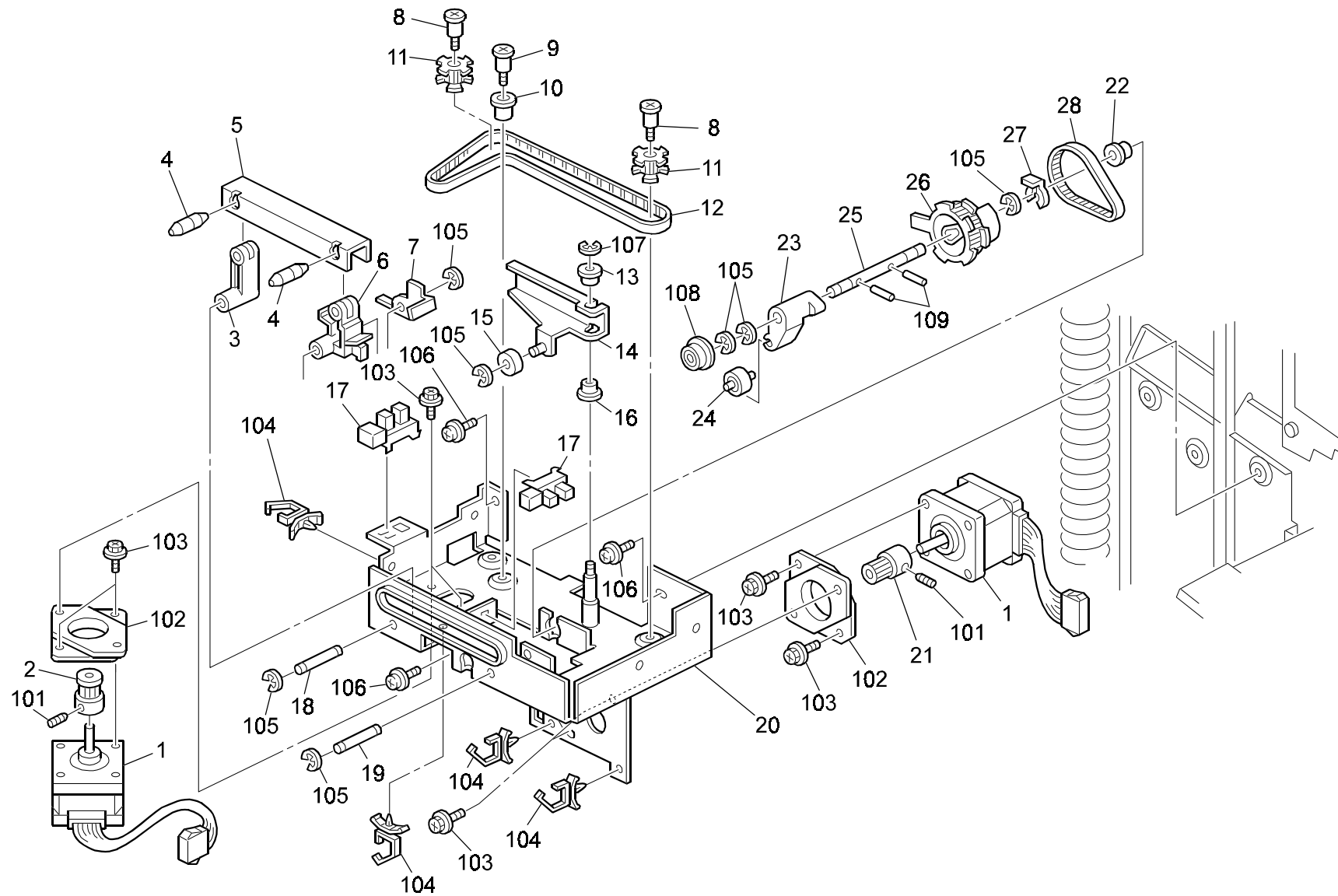


1.EXTERIOR (A831)

Index No.	Part No.	Description	Q'ty Per Assembly
1	A831 2711	Left Lower Cover	1
2	A831 2751	Rear Cover	1
3	A831 3781	Inner Proof Tray	1
4	A831 3771	Outer Proof Tray	1
5	A831 3711	Upper Cover	1
6	A831 3751	Grip Cover	1
7	A831 2684	Cover Bracket	1
8	A821 1860	Decal - Add Staple	1
9	A821 1865	Decal - R4	1
10	A831 3201	Inner Cover - Chack	1
11	A377 1631	Upper Wheel Cover	1
12	A831 3741	Front Left Cover	1
13	A831 3721	Front Lower Cover	1
14	A831 1645	Hinge Bracket	2
15	A831 2562	Joint Arm	2
16	A831 4511	Stud Screw - M4	1
17	A831 3731	Front Door	1
18	A606 1595	Small Door Cover	1
19	A377 1651	Magnet Catch Plate	1
20	A831 2561	Lower Joint Stay	1
21	A831 2504	Upper Joint Stay	1

Index No.	Part No.	Description	Q'ty Per Assembly
101	0344 0060B	Philips Truss Head Screw - M4x6	
102	0344 0080F	Philips Truss Head Screw - M4x8	
103	0452 4010B	Tapping Bind Screw - M4x10	
104	0354 0060B	Screw - M4X6	
105	0314 0060B	Philips Pan Head Screw - M4x6	
106	0344 0060F	Philips Truss Head Screw - M4x6	

2.STAPLEER SECTION 1 (A831)

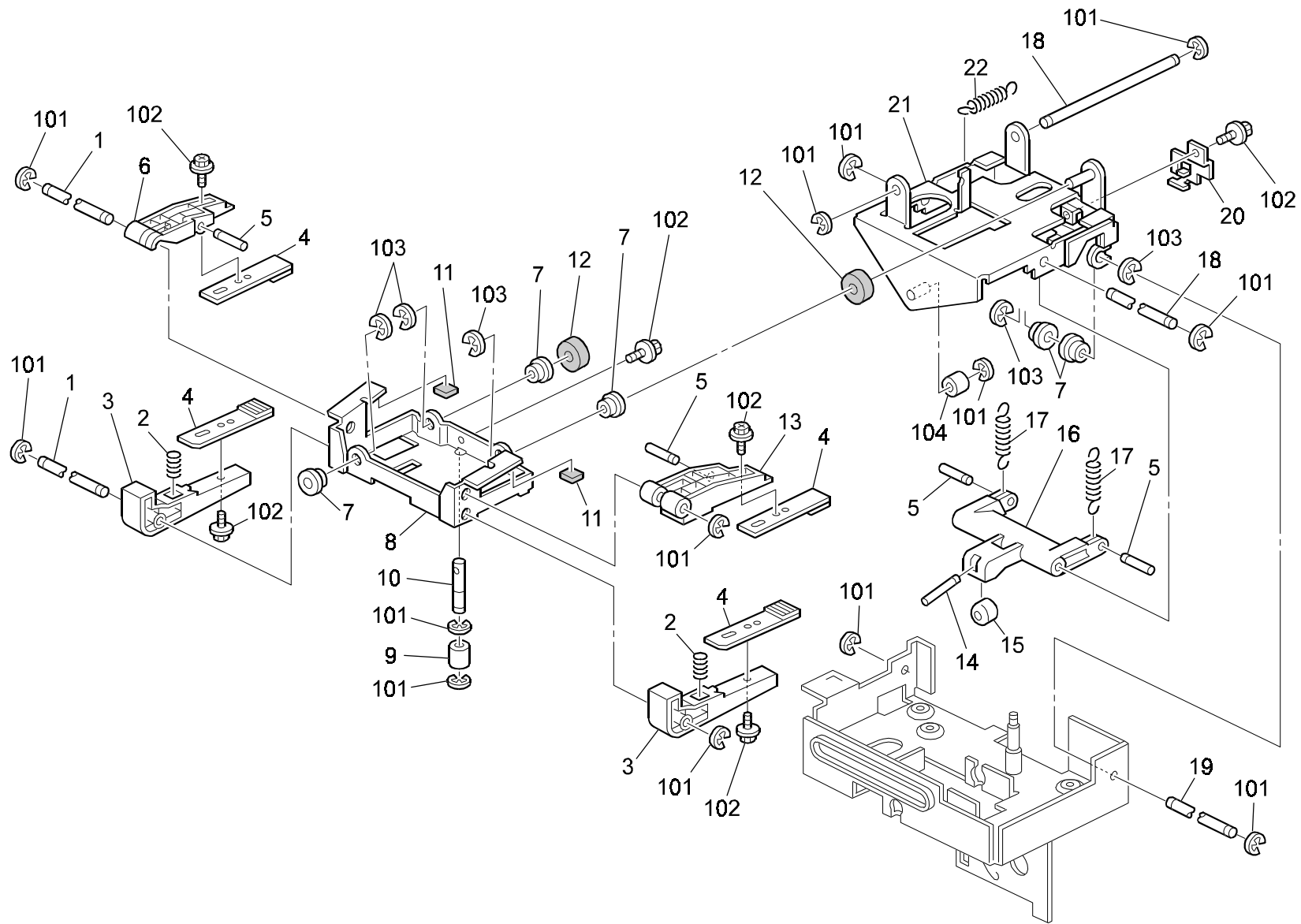


2.STAPLEER SECTION 1 (A831)

Index No.	Part No.	Description	Q'ty Per Assembly
*	A821 4400	Grip Assembly	1
1	AX05 0129	DC Stepper Motor - 7W	2
2	AB03 0216	Pulley - 15Z	1
3	A821 4543	Left Link	1
4	A821 4556	Shaft - Pressure Plate	2
5	A821 4551	Pressure Plate	1
6	A821 4541	Right Link	1
7	A821 4561	Return Lever	1
8	AA14 3314	Stepped Screw - M4x4	2
9	AA14 3444	Stepped Screw	1
10	A079 4914	Idle Roller - Gate Belt	1
11	AB03 0592	Timing Pulley	2
12	AA04 3904	Timing Belt - B40S2M376	1
13	5324 1658	Bushing- 4x8x4.5mm	1
14	A821 4571	Lever	1
15	5887 4400	Guide Roller - Driven Unit	1
16	AA08 0072	Bushing - 6x10x3	1
17	AW02 0075	Photointerruptor	2
18	A821 4547	Left Shaft - Short	1
19	A821 4546	Right Shaft - Short	1
20	A821 4511	Bracket - Gripper Fixing	1
21	AB03 0591	Timing Pulley - Drive	1
22	AA08 0071	Bushing -6x10x6	1
23	A821 4531	Pressure Lever	1
24	A499 2444	Middle Belt Roller	1
25	A821 4536	Shaft - Pressure Cam	1
26	A821 4521	Pressure Cam	1
27	5447 2681	Snap Ring	1
28	AA04 3903	Timing Belt - 186T	1

Index No.	Part No.	Description	Q'ty Per Assembly
101	0574 0040E	Hexagon Headless Set Screw - M4x4	
102	1005 0964	Cushion - Stepper Motor	
103	0451 3006B	Tapping Screw - M3x6	
104	1105 0310	Harness Clamp - LWS-1S	
105	0720 0040E	Retaining Ring - M4	
106	0951 4006B	Philips Screw With Washer - M4x6	
107	0720 0030E	Retaining Ring - M3	
108	0741 3506	Ball Bearing - 6x12x4 Mm	
109	0633 0080G	Parallel Pin - 3x8	

3.STAPLEER SECTION 2 (A831)

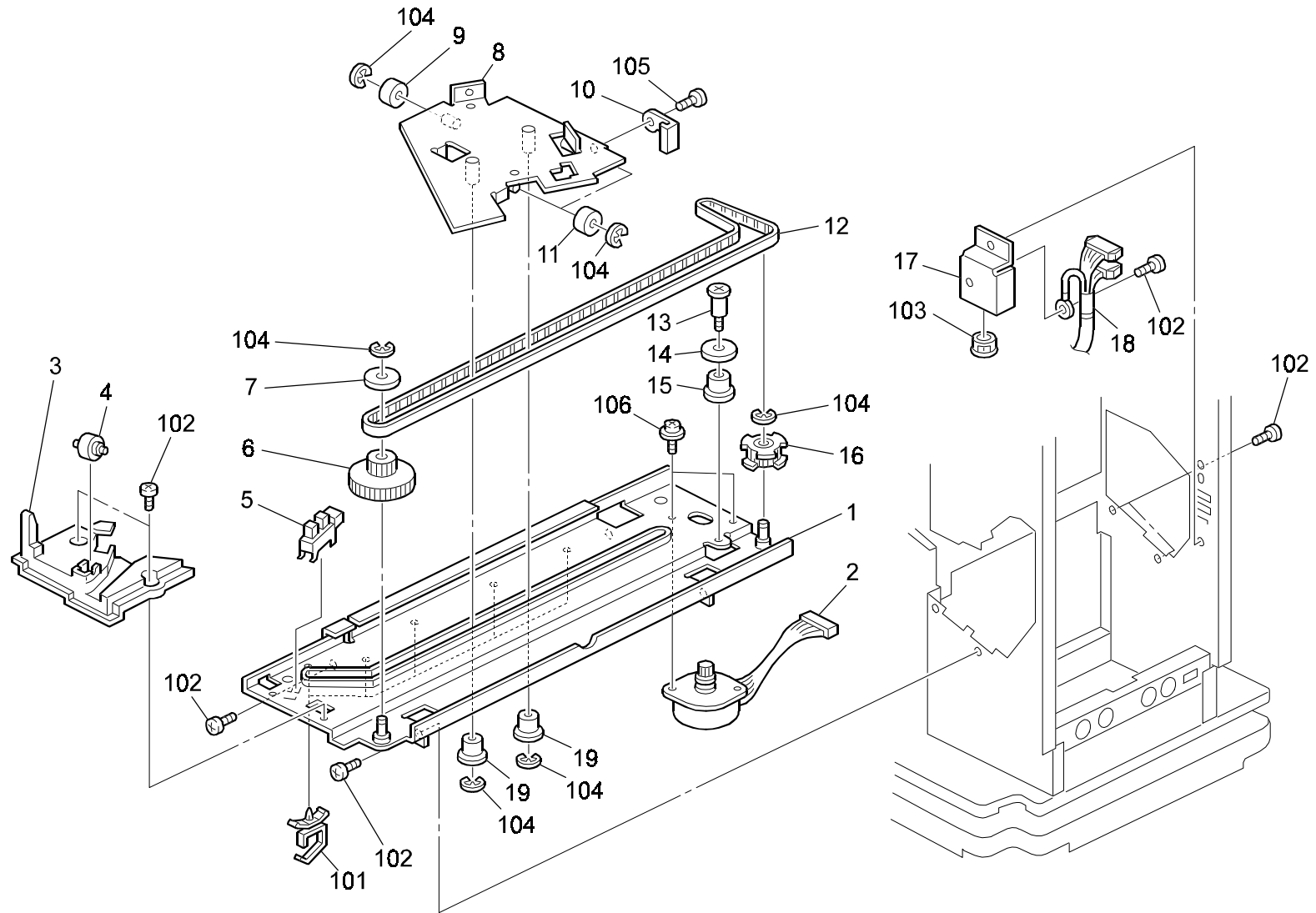


3.STAPLEER SECTION 2 (A831)

Index No.	Part No.	Description	Q'ty Per Assembly
1	A821 4441	Shaft - Gripper Arm	2
2	AA06 3528	Pressure Spring	2
3	A821 4431	Lower Arm	2
4	A821 4436	Gripper Arm	4
5	A821 4481	Pin - Pressure Spring	4
6	A821 4426	Left Upper Arm	1
7	AA08 2042	Bushing - 6x10x6.5mm	5
8	A821 4416	Gripper Bracket	1
9	A555 3231	Bin Guide Roller	1
10	A821 4446	Drive Shaft	1
11	A606 2328	Junction Gate Cushion	2
12	A377 4466	Cushion	2
13	A821 4421	Upper Right Arm	1
14	A821 4483	Pin - Roller Pressure	1
15	A821 4473	Pressure Arm Roller	1
16	A821 4471	Pressure Arm	1
17	AA06 0762	Tension Spring	2
18	A821 4486	Shaft - Gripper	2
19	A821 4581	Slide Shaft	1
20	A821 4491	Bracket - Belt Stopper	1
21	A821 4466	Gripper Middle Bracket	1
22	AA06 0547	Tension Spring	1

Index No.	Part No.	Description	Q'ty Per Assembly
101	0720 0040E	Retaining Ring - M4	
102	0451 3006B	Tapping Screw - M3x6	
103	0720 0080E	Retaining Ring - M8	
104	0805 3048	Needle Roller Bearing - 6x10x9	

4.STAPLEER SECTION 3 (A831)

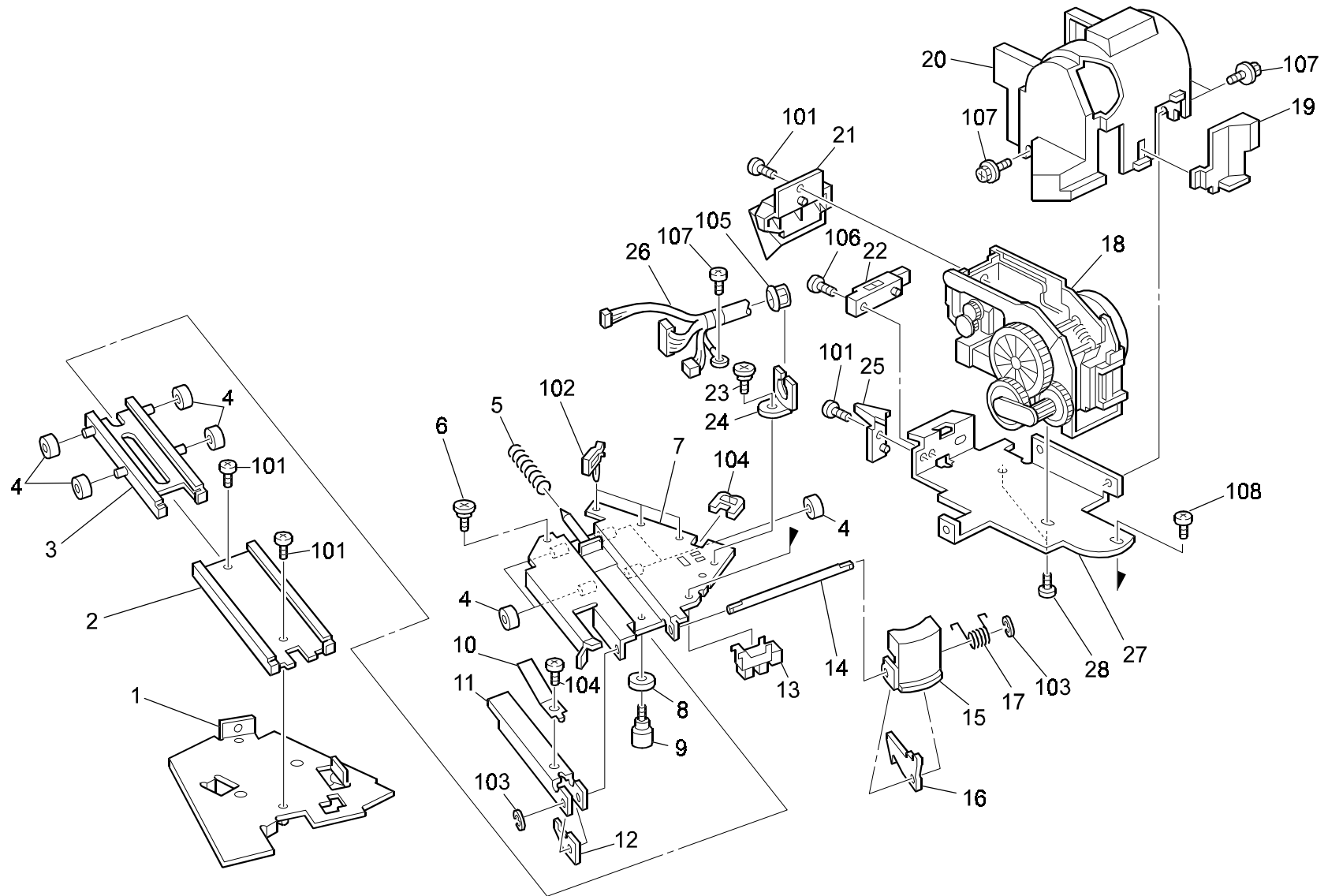


4.STAPLEER SECTION 3 (A831)

Index No.	Part No.	Description	Q'ty Per Assembly
1	A831 1201	Stapler Guide Stay	1
2	AX04 0109	DC Stepper Motor - 9W	1
3	A606 4882	Guide Plate	1
4	A499 2444	Middle Belt Roller	1
5	AW02 0075	Photointerruptor	1
6	A606 4728	Pulley - 30Z	1
7	A300 3812	Spacer - 6x22x1.5	1
8	A606 4831	Stapler Slider	1
9	A606 4837	Roller - 12	1
10	A377 4736	Timing Belt Stopper	1
11	A377 4741	Roller - M14	2
12	AA04 3357	Timing Belt - 1110P2M6	1
13	A377 4726	Stepped Screw - M4x8x14	1
14	AA13 2152	Spacer - 8x20x1	1
15	5887 4185	Idler Pulley	1
16	AB03 0394	Timing Pulley - 30Z	1
17	A664 4745	Haness Cover	1
18	A831 5230	Stapler Harness	1
19	A377 4742	Slider Guide	2
20	A831 5240	Stapler H.P Harness	1

Index No.	Part No.	Description	Q'ty Per Assembly
101	1105 0310	Harness Clamp - LWS-1S	
102	0451 4006B	Tapping Screw - 4x6	
103	1106 0193	Bushing - 7.9mm	
104	0720 0040E	Retaining Ring - M4	
105	0354 0060B	Screw - M4X6	
106	0951 3005B	Philips Screw With Flat Washer M3x5	

5.STAPLEER SECTION 4 (A831)

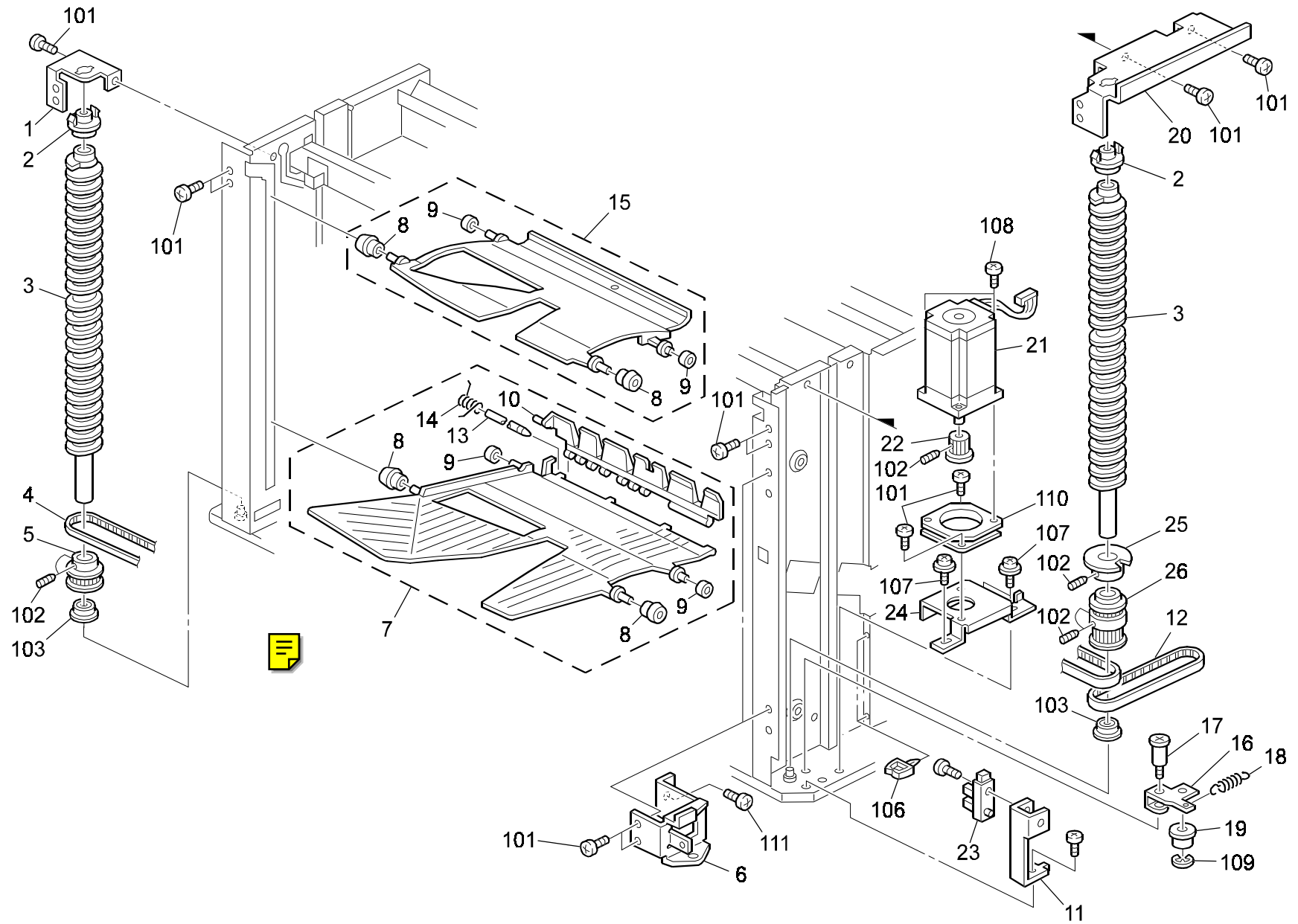


5.STAPLEER SECTION 4 (A831)

Index No.	Part No.	Description	Q'ty Per Assembly
1	A606 4831	Stapler Slider	1
2	A606 4841	Slide Rail	1
3	A606 4851	Middle Bracket	1
4	A606 4854	Roller - 10	8
5	AA06 3544	Pressure Spring	1
6	5413 1882	Stepped Screw	1
7	A606 4861	Stapler Bracket	1
8	A606 4883	Spacer	1
9	A606 4881	Stepped Screw	1
10	A606 4873	Spring Plate	1
11	A606 4872	Stapler Stop Lever	1
12	A606 4871	Release Lever Bracket	1
13	AW02 0075	Photointerruptor	1
14	A606 4866	Lever Shaft - Long	1
15	A606 4865	Lock Lever Grip	1
16	A606 4864	Lock Lever	1
17	AA06 6558	Spring	1
18	AJ01 1010	Stapler - EH-560	1
19	A606 1606	Harness Cover	1
20	A606 1605	Stapler Cover	1
21	A606 1607	Entrance Guide	1
22	AW01 0070	Photosensor - PS-R11D1-B	1
23	5442 1659	Stepped Screw - M4	1
24	A377 4738	Harness Bracket	1
25	A606 4712	Stapler Entrance Guide	1
26	A831 5230	Stapler Harness	1
27	A606 4711	Stapler Solenoid	1
28	5875 2088	Shoulder Screw - M4	2

Index No.	Part No.	Description	Q'ty Per Assembly
101	0354 0060B	Screw - M4X6	
102	1105 0267	Harness Clamp - YMC-10-0	
103	0720 0040E	Retaining Ring - M4	
104	1105 0328	Harness Clamp - ES-0505	
105	1106 0193	Bushing - 7.9mm	
106	0353 0100B	Screw - M3X10	
107	0451 4006B	Tapping Screw - 4x6	
108	0314 0080B	Philips Pan Head Screw - M4x8	

6.BIB DRIVE SECTION 1 (A831)

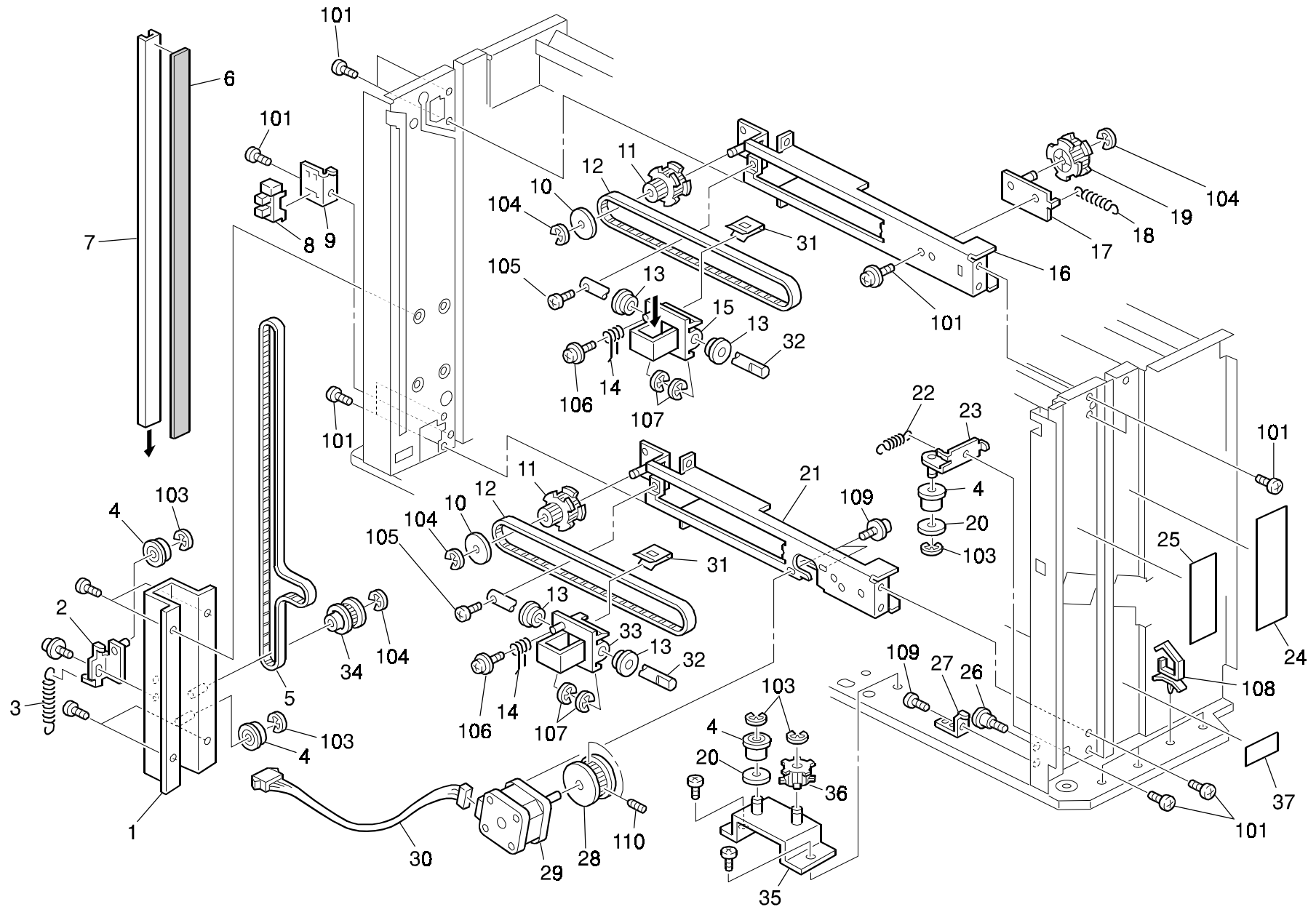


6.BIB DRIVE SECTION 1 (A831)

Index No.	Part No.	Description	Q'ty Per Assembly
1	A377 3136	Rear Left Fixing Plate	1
2	A377 3145	Helical Wheel Bushing	2
3	A606 3112	Long Helical Wheel	2
4	A831 6622	Timing Belt - B40S3M999	1
5	A377 3151	Timing Pulley - 36Z	1
6	A377 1641	Hinge Bracket	1
7	A831 3111	Bin	20
8	A377 3546	Guide Roller	42
9	A377 3447	Small Guide Roller	42
10	A831 3121	Bin End Fence	20
11	A377 3212	Positioning Sensor Bracket	1
12	AA04 3353	Timing Belt - B100S3M300	1
13	A831 4121	End Fence Shaft	20
14	A831 6106	Bin Spring	20
15	A831 3131	Supporting Bin	1
16	A377 3262	Tension Bracket	1
17	A469 3142	Idle Pulley Stud - Long	1
18	A831 6658	Pressure Spring	1
19	5887 2291	Idle Roller	1
20	A831 2641	Front Wheel Bracket	1
21	A831 5801	Stepped Motor - DC5.7V 5.9A	1
22	AB03 0437	Timing Pulley - 18Z	1
23	AW02 0022	Photointerruptor	1
24	A377 3202	Stepping Motor Bracket	1
25	A377 3166	Bin Positioning Shutter	1
26	A377 3161	Timing Pulley - 36Z L8/L12	1

Index No.	Part No.	Description	Q'ty Per Assembly
101	0314 0060B	Philips Pan Head Screw - M4x6	
102	0574 0040E	Hexagon Headless Set Screw - M4x4	
103	0741 3006	Ball Bearing - 6x17x6mm	
104	0451 4006B	Tapping Screw - 4x6	
105	0314 0100B	Philips Pan Head Screw - M4x10	
106	1105 0231	Clamp	
107	0951 4006B	Philips Screw With Washer - M4x6	
108	0314 0080B	Philips Pan Head Screw - M4x8	
109	0720 0060E	Retaining Ring - M6	
110	1005 0946	Stepping Motor Cushion	
111	0354 0060B	Screw - M4X6	

7.JOGGER DRIVE SECTION (A831)

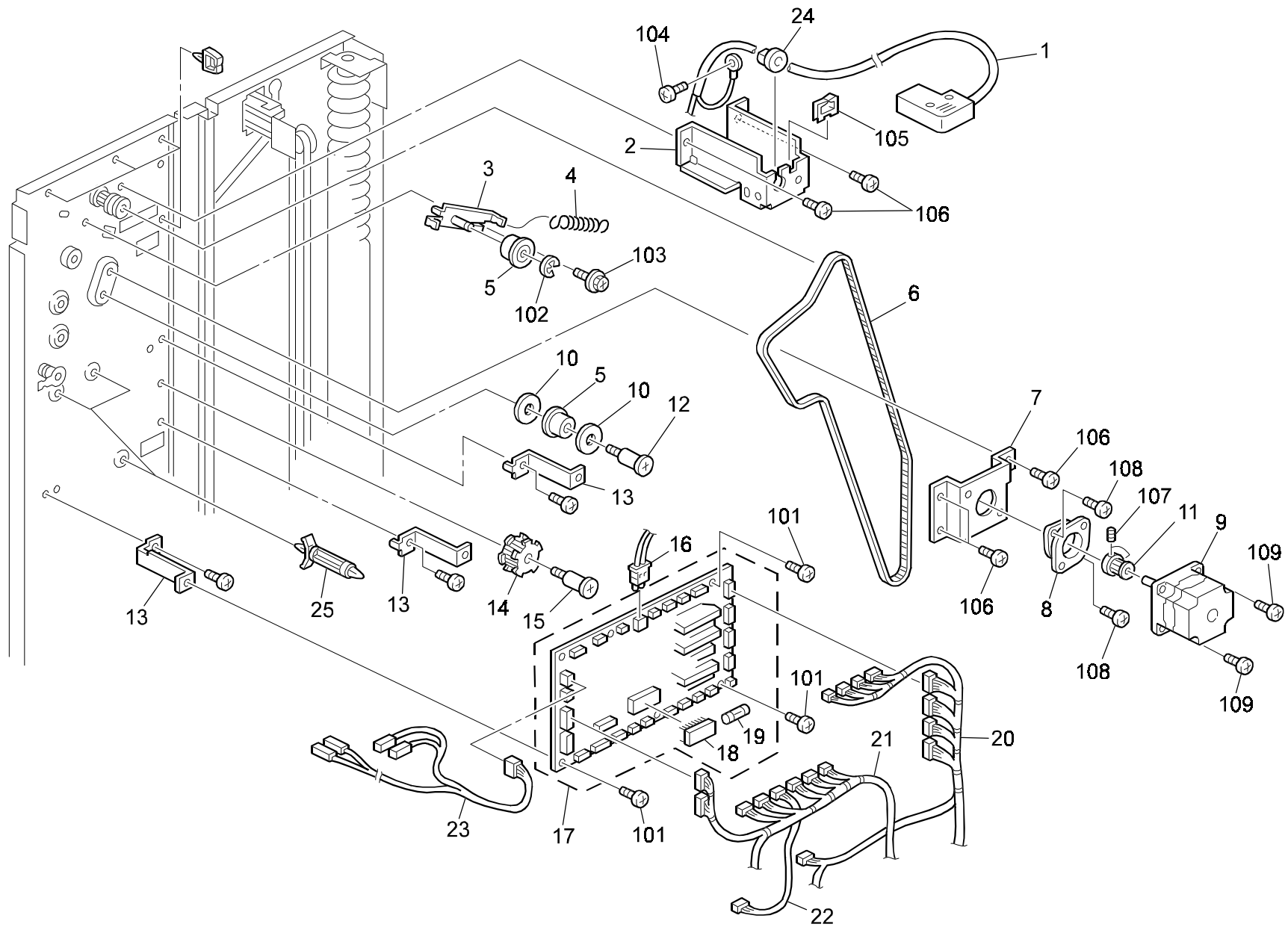


7.JOGGER DRIVE SECTION (A831)

Index No.	Part No.	Description	Q'ty Per Assembly
1	A831 1593	Adjusting Plate	1
2	A377 4186	Idler Bracket	1
3	AA06 0548	Tension Spring	1
4	5887 4185	Idler Pulley	4
5	AA04 3356	Timing Belt - B60S3M1680	1
6	A606 4156	Jogger Cushion	1
7	A377 4151	Jogger Plate	1
8	AW02 0075	Photointerruptor	1
9	A377 4161	Jogger Sensor Bracket	1
10	A300 3812	Spacer - 6x22x1.5	2
11	AB03 3051	Timing Pulley - 25Z	2
12	A831 6102	Timing Belt - B40S3M741	2
13	AA08 2042	Bushing - 6x10x6.5mm	4
14	AA06 6549	Jogger Plate Spring	2
15	A377 4112	Upper Jogger Plate Holder	1
16	A831 1582	Upper Jogger Stay	1
17	A377 4141	Pulley Bracket	1
18	A831 6104	Tension Spring	1
19	AB03 0393	Timing Pulley - 25Z	1
20	AA13 2152	Spacer - 8x20x1	2
21	A831 1587	Lower Jogger Stay	1
22	AA06 0555	Tension Spring	1
23	A377 3242	Adjusting Bracket	1
24	A821 1850	Decal - Misfed Removal	1
25	A831 7812	Decal - Misfeed Remobal	1
26	5206 2684	Shoulder Screw - M3	1
27	5887 2245	Spring Anchor	1
28	A377 4216	Timing Pulley - 34Z	1
29	A831 5128	Stepping Motor - DC14.5V 1.36A	1
30	A831 5250	Jogger Harness	1
31	A354 4475	Timing Belt Stopper - Side Fence	2
32	A831 4112	Jogger Slide Shaft	2
33	A377 4122	Lower Jogger Plate Holder	1
34	5214 1811	Idle Pulley - 20z	1
35	A831 1610	Tightener Bracket	1

Index No.	Part No.	Description	Q'ty Per Assembly
36	AB03 0278	Idler - 20z	1
37	A831 7655	Model Name Plate - Lanier	1
101	0451 4006B	Tapping Screw - 4x6	
102	0951 4006B	Philips Screw With Washer - M4x6	
103	0720 0060E	Retaining Ring - M6	
104	0720 0040E	Retaining Ring - M4	
105	0313 0100B	Philips Pan Head Screw - M3x10	
106	0452 3008B	Tapping Screw - M3x8	
107	0720 0080E	Retaining Ring - M8	
108	1105 0310	Harness Clamp - LWS-1S	
109	0951 3005B	Philips Screw With Flat Washer M3x5	
110	0574 0040E	Hexagon Headless Set Screw - M4x4	
111	0314 0060B	Philips Pan Head Screw - M4x6	

8.ELECTRICAL SECTION 1 (A831)

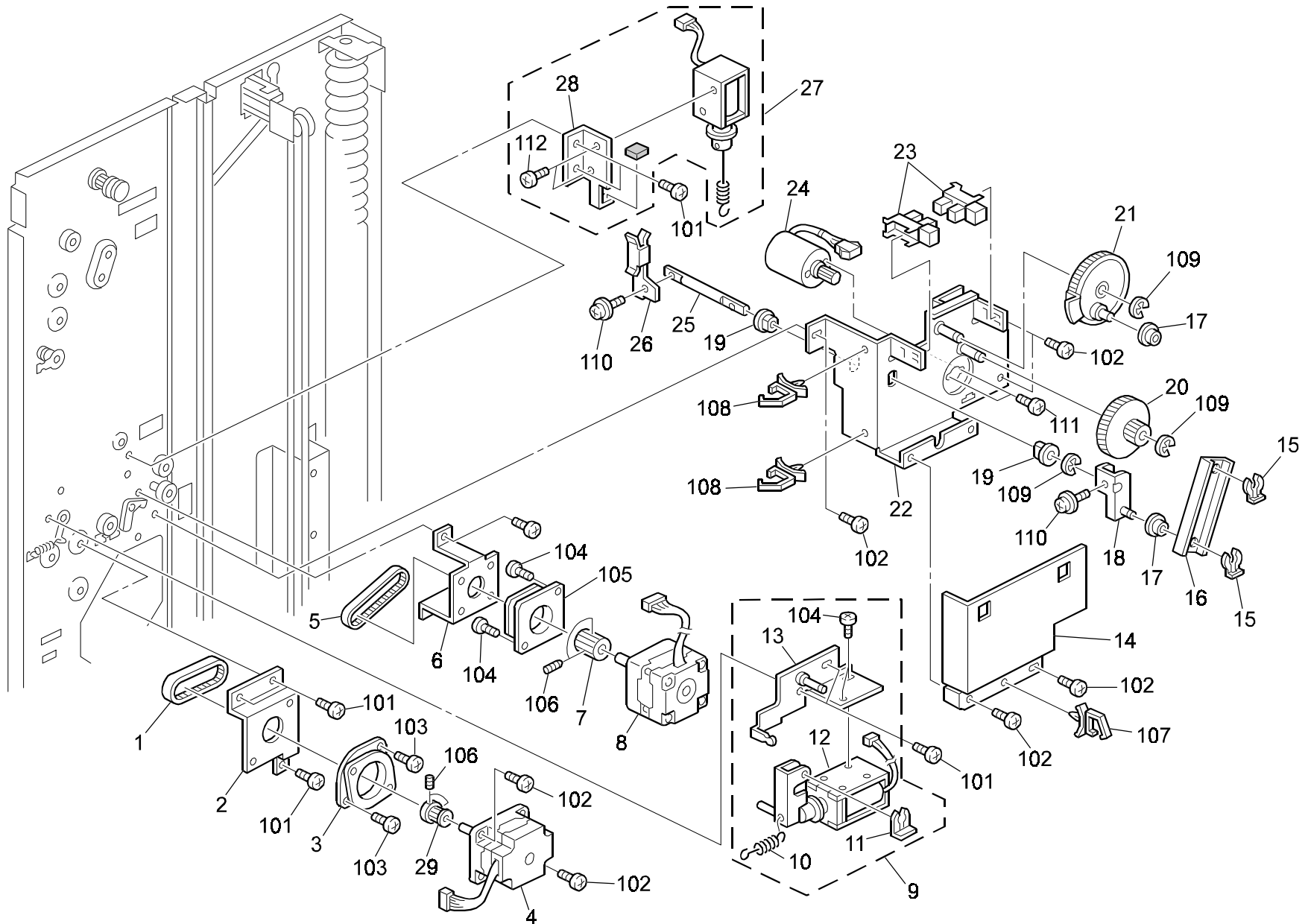


8.ELECTRICAL SECTION 1 (A831)

Index No.	Part No.	Description	Q'ty Per Assembly
1	A831 5220	Sorter Harness	1
2	A831 2609	Sorter Harness Bracket	1
3	A377 2221	Tightener	1
4	A831 6309	Tension Spring	1
5	5887 4185	Idler Pulley	2
6	A831 6621	Timing Belt - B40S3M999	1
7	A831 2302	Reverse Motor Bracket	1
8	A831 5913	Locking Support	3
9	A831 1342	Reverse Motor - DC2.3V 3A	1
10	AA13 2152	Spacer - 8x20x1	2
11	A831 1442	Timing Pulley - 12Z	1
12	A377 4726	Stepped Screw - M4x8x14	1
13	5442 5839	Angle - Cord Clamp 30	3
14	AB03 0278	Idler - 20z	1
15	AA14 3462	Idler Stud - M4	1
16	A831 5215	Optical Fiber	1
17	A831 5100	Main Contraol Board	1
18	A831 5103	EPROM	1
19	A094 5121	Fuse - 3.15A 250V	1
20	A831 5200	Drive Harness	1
21	A831 5210	Sensor Harness	1
22	A831 5295	Invertor Harness	1
23	A831 5225	Sorter Set Harness	1
24	A831 5912	Power Cord Bushing	1

Index No.	Part No.	Description	Q'ty Per Assembly
101	0314 0080M	Philips Pan Head Screw - M4x8	
102	0720 0060E	Retaining Ring - M6	
103	0951 4006B	Philips Screw With Washer - M4x6	
104	0314 0080B	Philips Pan Head Screw - M4x8	
105	1105 0328	Harness Clamp - ES-0505	
106	0314 0060B	Philips Pan Head Screw - M4x6	
107	0574 0040E	Hexagon Headless Set Screw - M4x4	
108	0314 0100B	Philips Pan Head Screw - M4x10	

9.ELECTRICAL SECTION 2 (A831)

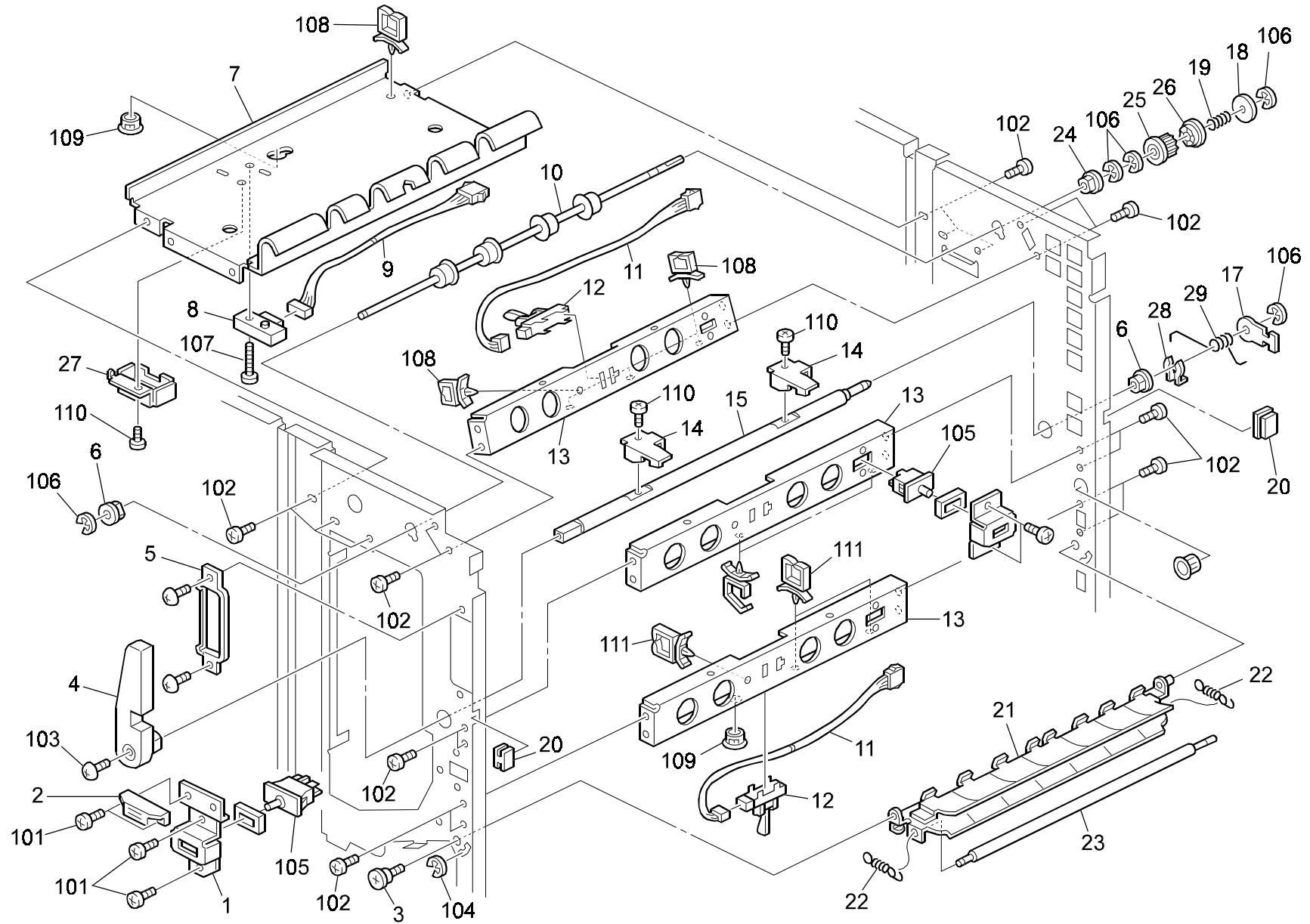


9.ELECTRICAL SECTION 2 (A831)

Index No.	Part No.	Description	Q'ty Per Assembly
1	A831 6325	Timing Belt - B60S3M177	1
2	A831 2302	Reverse Motor Bracket	1
3	A606 2381	Solenoid Link	1
4	A831 1342	Reverse Motor - DC2.3V 3A	1
5	AA04 3348	Timing Belt - 150P3M6	1
6	A831 2303	Exit Motor Bracket	1
7	AB03 0435	Timing Pulley - 16Z	1
8	A831 5057	Stepping Motor - DC3.2V 2.4A	1
9	A831 1414	Solenoid Bracket	1
10	A831 6422	Tension Spring	1
11	5206 2686	Snap Ring	1
12	AX11 0027	DC Solenoid - 5W	1
13	A831 6354	Solenoid Cushion	1
14	A377 3331	Harness Cover	1
15	5447 2681	Snap Ring	2
16	A377 3322	End Fence Link	1
17	AA08 0072	Bushing - 6x10x3	2
18	A377 3315	Link Bracket	1
19	5053 0447	Bushing - 6mm	1
20	AB01 7305	Gear -18/78Z	1
21	A377 3326	Gear - 70Z	1
22	A664 3311	End Fence Bracket	1
23	AW02 0075	Photointerruptor	2
24	AX04 0053	DC Motor - 24V/2.2W	1
25	A377 3323	Link Shaft	1
26	A377 3321	End Fence Guide	1
27	A831 6351	DC Solenoid - DC24V	1
28	A831 2304	Reverse Solenoid Bracket	1
29	A831 1442	Timing Pulley - 12Z	1

Index No.	Part No.	Description	Q'ty Per Assembly
101	0314 0060B	Philips Pan Head Screw - M4x6	
102	0434 0060B	Pan Head Self-tapping Screw - M4x6	
103	0314 0100B	Philips Pan Head Screw - M4x10	
104	0313 0050B	Philips Pan Head Screw - M3x5	
105	1005 0944	Stepping Motor Cushion	
106	0574 0040E	Hexagon Headless Set Screw - M4x4	
107	1105 0310	Harness Clamp - LWS-1S	
108	1105 0291	Harness Clamp - LWS-3S	
109	0720 0040E	Retaining Ring - M4	
110	0951 3005B	Philips Screw With Flat Washer M3x5	
111	0800 0072	Philips Pan Head Screw - M2.6x4	
112	0313 0040B	Philips Pan Head Screw - M3x4	

10.TRANSFER SECTION 1 (A831)

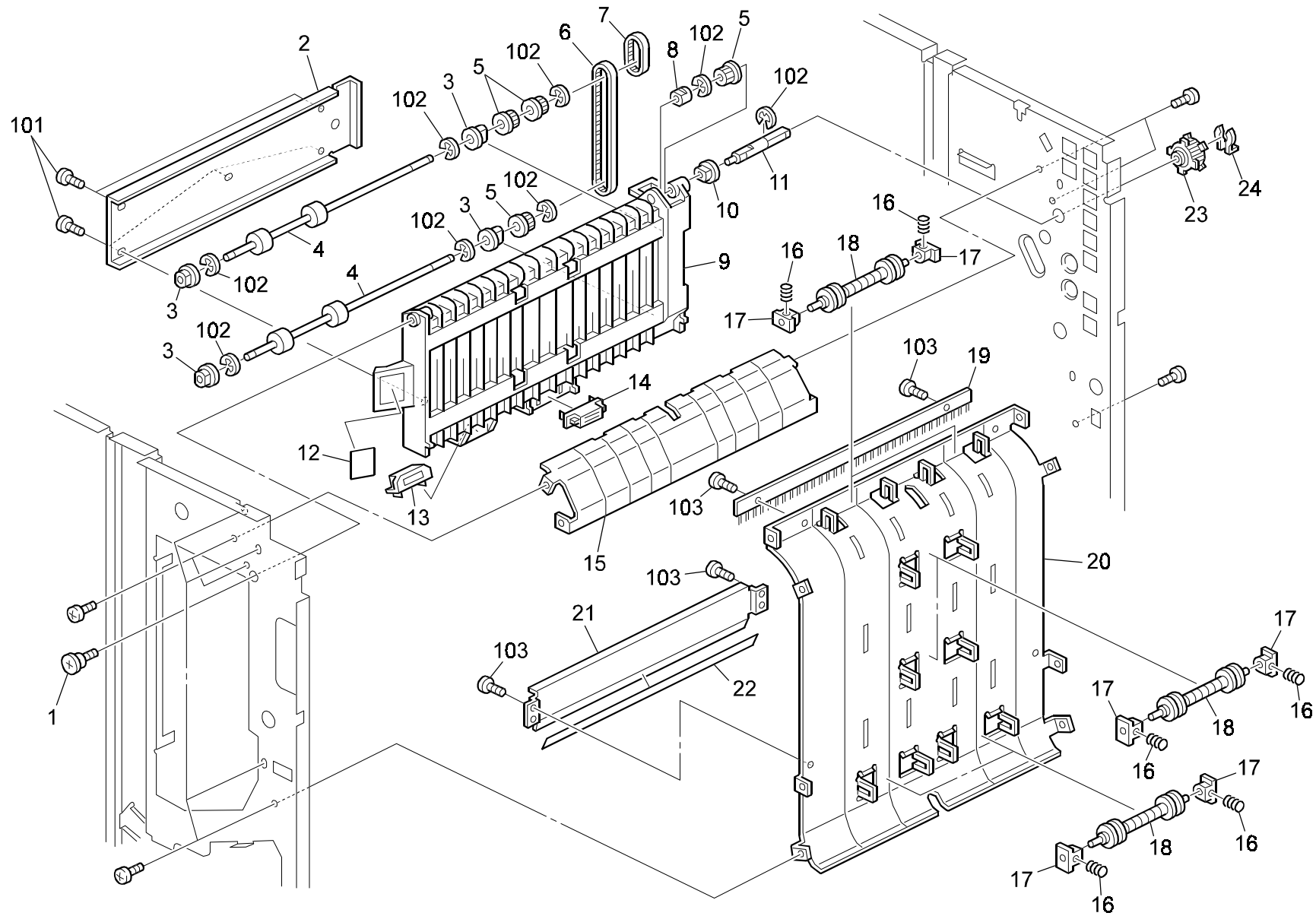


10.TRANSFER SECTION 1 (A831)

Index No.	Part No.	Description	Q'ty Per Assembly
1	A377 1661	Door Switch Cover	1
2	AG07 0004	Magnetic Catch	1
3	5413 1882	Stepped Screw	1
4	A831 3511	Release Knob	1
5	A831 3631	Small Grip Cover	1
6	5053 0447	Bushing - 6mm	2
7	A831 2428	Upper Stay	1
8	AW02 0087	Photosensor - LNB4301	1
9	A831 5270	Bin Sensor Harness - Upper	1
10	A831 6412	Exit Driven Roller	1
11	A831 5260	Sensor Harness	2
12	AW02 0049	Photointerruptor - OS - 580213-703	2
13	A831 2651	Stay	3
14	A831 2502	Release Arm	2
15	A831 4504	Release Shaft	1
16	A377 1662	Door Switch Actuator	2
17	A831 2503	Release Arm Stopper	1
18	A300 3812	Spacer - 6x22x1.5	1
19	A300 3826	Pressre Spping	1
20	A831 6112	Cushion - 17x25x16.5	2
21	A831 1432	Entrance Guide	1
22	A831 6424	Tension Spring	2
23	A831 4438	Entrance Guide Shaft	1
24	AA08 0238	Bushing - M6	1
25	A354 1261	Pulley - 20Z	1
26	A354 1266	Torque Limiter Collar	1
27	A831 2441	Sensor Cover	1
28	5447 2681	Snap Ring	1
29	A831 6511	Tension Spring	1
30	A831 2607	Safety Switch Cover	1

Index No.	Part No.	Description	Q'ty Per Assembly
101	0313 0050B	Philips Pan Head Screw - M3x5	
102	0434 0060B	Pan Head Self-tapping Screw - M4x6	
103	0344 0080B	Philips Truss Head Screw - M4x8	
104	0720 0030E	Retaining Ring - M3	
105	1204 2384	Interlock Switch	
106	0720 0040E	Retaining Ring - M4	
107	0313 0140B	Philips Pan Head Screw - M3x14	
108	1105 0196	Harness Clamp	
109	1106 0193	Bushing - 7.9mm	
110	0314 0060B	Philips Pan Head Screw - M4x6	
111	1105 0291	Harness Clamp - LWS-3S	
112	0344 0060F	Philips Truss Head Screw - M4x6	

11.TRANSFER SECTION 2 (A831)

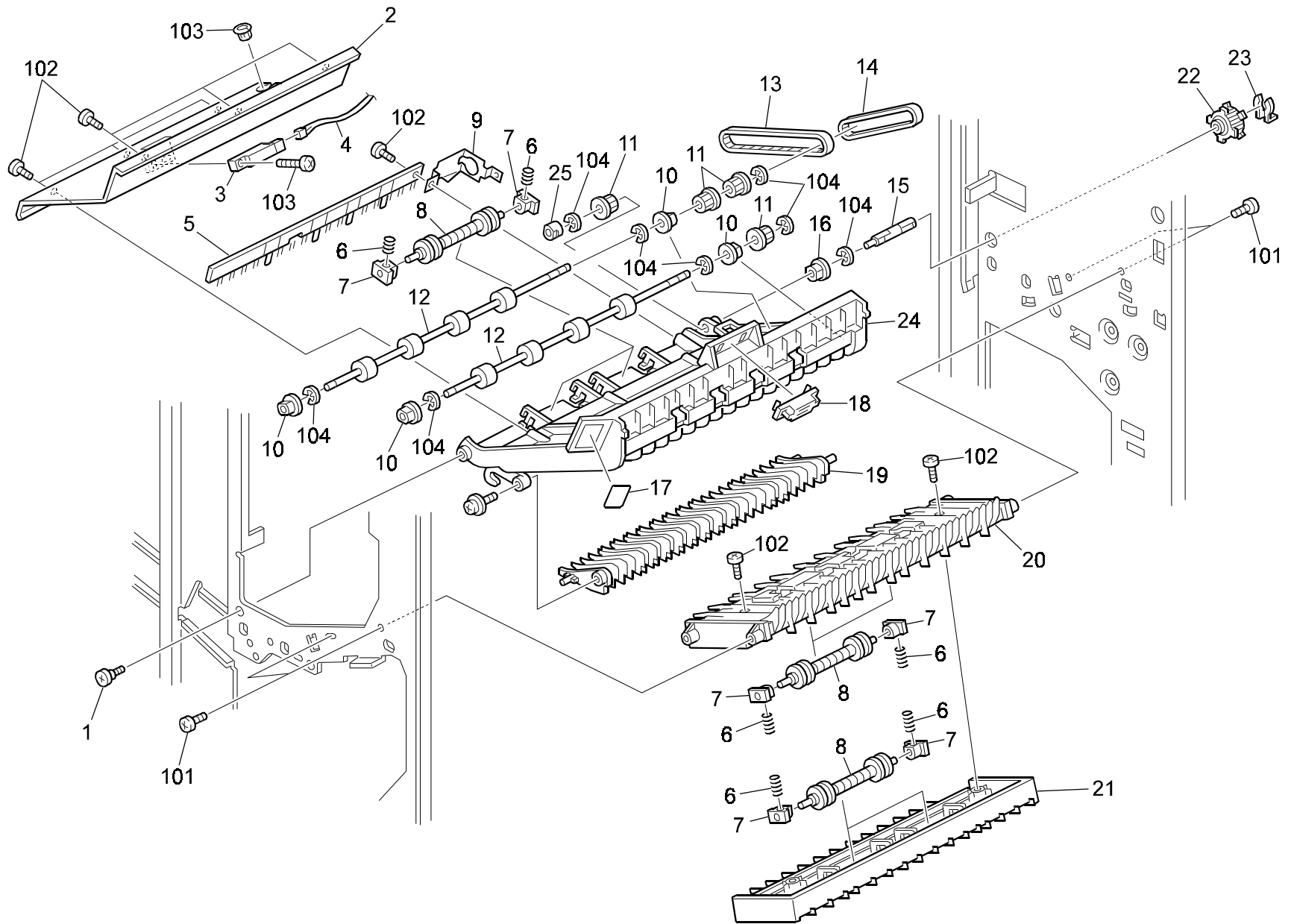


11.TRANSFER SECTION 2 (A831)

Index No.	Part No.	Description	Q'ty Per Assembly
1	A831 4499	Screw - M4x10	1
2	A831 1431	Left Support Plate	1
3	5053 0709	Bushing - 6x10x6mm	4
4	A831 6302	Drive Roller 1	2
5	A831 3498	Timing Pulley - 18Z	4
6	A831 6434	Timing Belt - B40S2M278	1
7	A831 6432	Timing Belt - B40S2M90	1
8	A831 2604	Bushing - 4mm	1
9	A831 3422	Left Guide Plate	1
10	5053 0447	Bushing - 6mm	1
11	A831 4302	Drive Shaft - Guide Plate	1
12	A831 7855	Decal - R5	1
13	AG07 1010	Magnet Catch	1
14	G020 2630	Magnetic Catch	1
15	A831 2426	Middle Guide Plate	1
16	AA06 3529	Pressure Spring - 14.5mm	12
17	A831 3034	Bushing	12
18	AF02 2097	Driven Roller	6
19	A831 6402	Discharge Brush	1
20	A831 2422	Right Guide Plate	1
21	A831 1423	Right Guide Plate	1
22	A831 6405	Guide Plate Mylar	1
23	AB03 0374	Timing Pulley - 20Z	1
24	5447 2681	Snap Ring	1

Index No.	Part No.	Description	Q'ty Per Assembly
101	0452 4010B	Tapping Bind Screw - M4x10	
102	0720 0040E	Retaining Ring - M4	
103	0434 0060B	Pan Head Self-tapping Screw - M4x6	

12.TRANSFER SECTION 3 (A831)

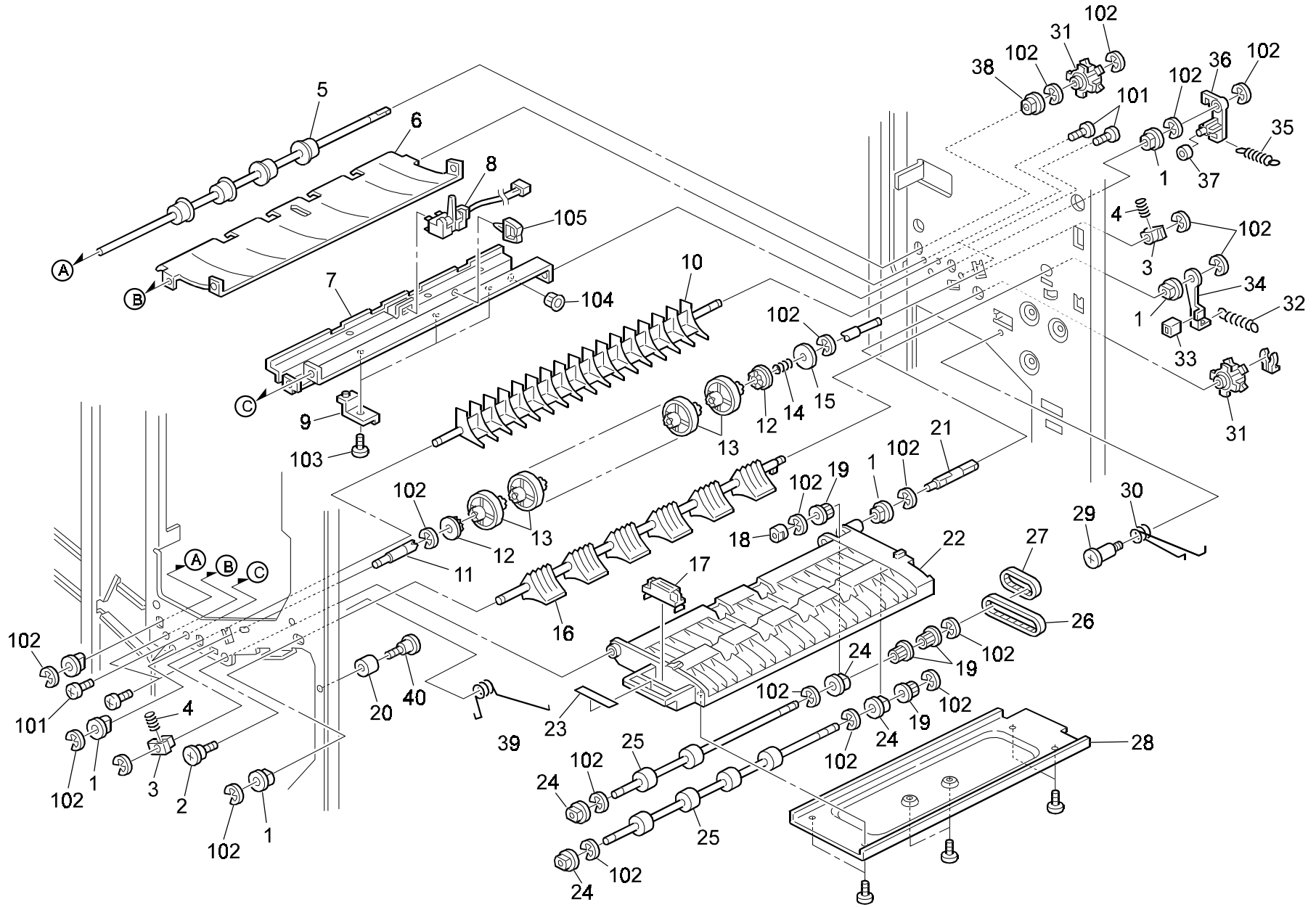


12.TRANSFER SECTION 3 (A831)

Index No.	Part No.	Description	Q'ty Per Assembly
1	A831 4499	Screw - M4x10	1
2	A831 2310	Guide Plate Bracket	1
3	A422 5270	Photosensor	1
4	A831 5290	Reverse Sensor Harness	1
5	A831 6304	Antistatic Brush	1
6	AA06 3529	Pressure Spring - 14.5mm	12
7	A831 3034	Bushing	12
8	AF02 2097	Driven Roller	6
9	A831 2307	Spring Plate	1
10	5053 0709	Bushing - 6x10x6mm	4
11	A831 3498	Timing Pulley - 18Z	4
12	AF02 2097	Drive Roller	1
13	A831 6324	Timing Belt - B40S2M264	1
14	A831 6323	Timing Belt - B40S2M180	1
15	A831 4302	Drive Shaft - Guide Plate	1
16	5053 0447	Bushing - 6mm	1
17	A831 7852	Decal - R2	1
18	AG07 1010	Magnet Catch	1
19	A831 3305	Left Guide Plate	1
20	A831 3302	Middle Guide Plate - Upper	1
21	A831 3303	Middle Guide Plate - Lower	1
22	AB03 0374	Timing Pulley - 20Z	1
23	5447 2681	Snap Ring	1
24	A831 3311	Upper Guide Plate - Left	1
25	A831 2604	Bushing - 4mm	1
26	A377 2146	Exit Guide Mylar	4

Index No.	Part No.	Description	Q'ty Per Assembly
101	0452 3010B	Tapping Bind Screw - M3x10	
102	0452 4010B	Tapping Bind Screw - M4x10	
103	1106 0241	Bushing - 6.7mm	
104	0720 0040E	Retaining Ring - M4	
105	0313 0100B	Philips Pan Head Screw - M3x10	

13.TRANSFER SECTION 4 (A831)

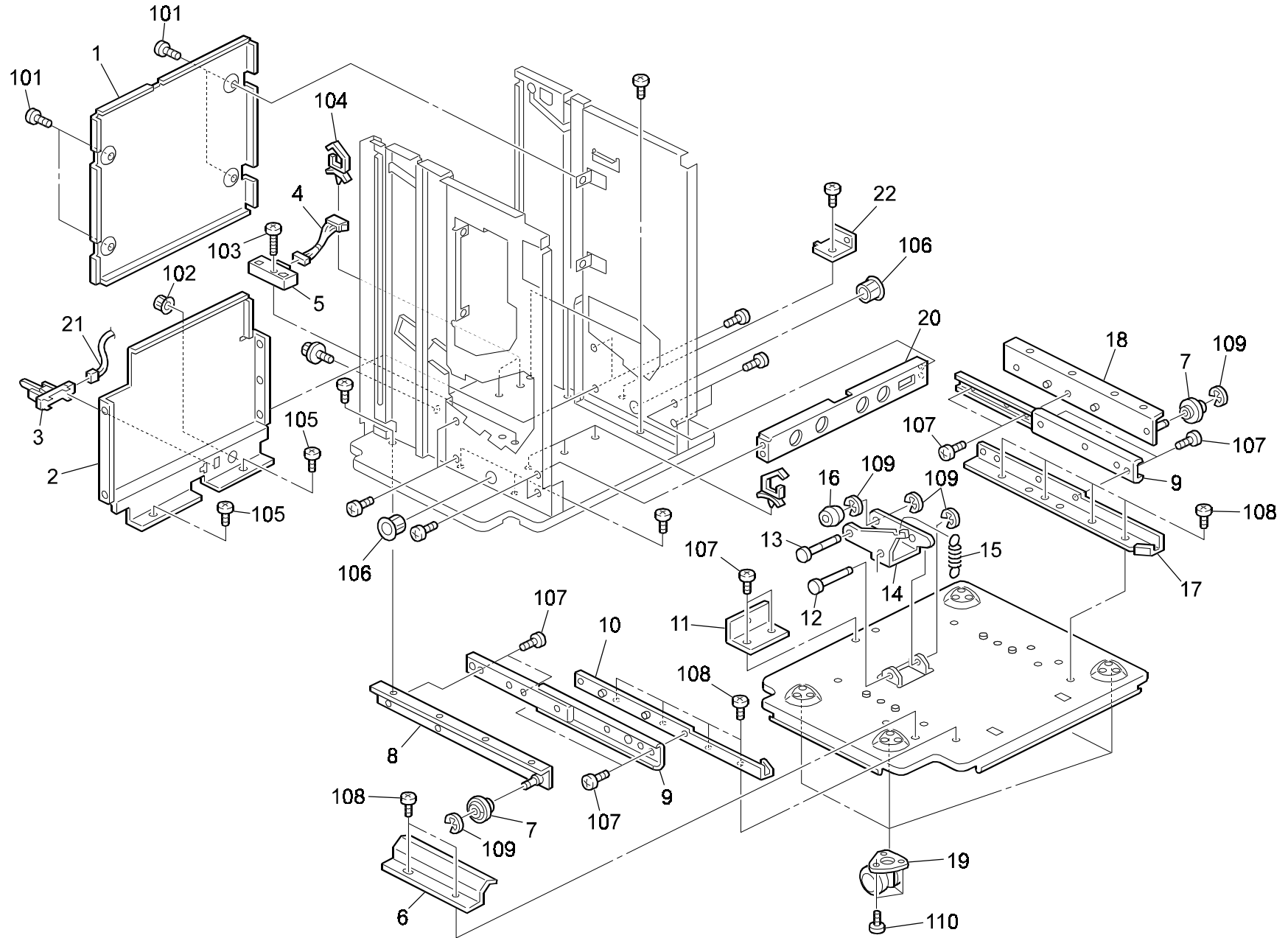


13.TRANSFER SECTION 4 (A831)


Index No.	Part No.	Description	Q'ty Per Assembly
1	5053 0447	Bushing - 6mm	5
2	A831 4499	Screw - M4x10	1
3	A831 3034	Bushing	2
4	AA06 3529	Pressure Spring - 14.5mm	2
5	A831 6301	Exit Drive Roller	1
6	A831 2301	Exit Guide Plate	1
7	A831 2771	Exit Stay	1
8	A831 5687	Photointerruptor	1
9	A821 1176	Paper Stopper	3
10	A831 3306	Reverse Gate Pawl	1
11	A831 4301	Idler Shaft	1
12	A354 1266	Torque Limiter Collar	2
13	A831 3308	Idler Roller	4
14	A300 3826	Pressre Spping	1
15	A300 3812	Spacer - 6x22x1.5	1
16	A831 3412	Gate Pawl	1
17	AG07 1010	Magnet Catch	1
18	A831 2604	Bushing - 4mm	1
19	A831 3498	Timing Pulley - 18Z	4
20	5887 4185	Idler Pulley	1
21	A831 4302	Drive Shaft - Guide Plate	1
22	A831 3304	Lower Right Guide Plate	1
23	A831 7851	Decal - R1	1
24	5053 0709	Bushing - 6x10x6mm	4
25	A831 6303	Drive Roller 2	2
26	A831 6322	Timing Belt - B40S2M152	1
27	A831 6321	Timing Belt - B40S2M76	1
28	A831 2311	Support Plate - Lower Guide	1
29	AA14 3462	Idler Stud - M4	1
30	A831 6307	Guide Plate Spring - Lower Right	1
31	AB03 0374	Timing Pulley - 20Z	2
32	A831 6422	Tension Spring	1
33	A831 6492	Lever Cushion	1
34	A831 2412	Gate Pawl Lever	1
35	A831 6306	Gate Pawl Spring	1

Index No.	Part No.	Description	Q'ty Per Assembly
36	A831 3307	Gate Pawl Stopper	1
37	A831 6355	Gate Pawl Rubber	1
38	AA08 0238	Bushing - M6	2
39	A831 6308	Front Spling	1
40	A377 4726	Stepped Screw - M4x8x14	1
101	0434 0060B	Pan Head Self-tapping Screw - M4x6	
102	0720 0040E	Retaining Ring - M4	
103	0353 0080B	Screw - M3X8	
104	1106 0241	Bushing - 6.7mm	
105	1105 0234	Clamp	
106	0720 0030E	Retaining Ring - M3	
107	0452 4010B	Tapping Bind Screw - M4x10	

14.FRAME SECTION (A831)



14.FRAME SECTION (A831)

Index No.	Part No.	Description	Q'ty Per Assembly
1	A831 2622	Upper Separation Plate	1
2	A831 2621	Lower Separation Plate	1
3	AW02 0049	Photointerruptor - OS - 580213-703	1
4	A831 5280	Bin Sensor Harness - Lower	1
5	AW02 0088	Photosensor - PNB4301	1
6	A831 2557	Guide Rail Bracket	1
7	A831 3522	Roller - 20mm	2
8	A831 1553	Front Rail	1
9	A831 6531	Slide Rail	2
10	A831 2555	Rail Bracket - Front Lower	1
11	A831 2552	Base Bracket	1
12	A831 4501	Positioning Pin	1
13	A831 4502	Roller Shaft	1
14	A831 2558	Guide Roller Bracket	1
15	A831 6512	Spring	1
16	A606 4837	Roller - 12	1
17	A831 2556	Rail Bracket - Rear Lower	1
18	A831 1554	Rear Rail	1
19	AH01 2010	Caster - 50m	4
20	A831 2651	Stay	1
21	A831 5260	Sensor Harness	1
22	A377 1637	Lower Rear Cover Bracket	1
23	A831 1552	Base Plate - Lower	1
24	A831 4521	Asjusting Shaft	2
25	A681 6122	Stand Adjuster	2
26	A831 6522	Cushion - 10x18	2
			

Index No.	Part No.	Description	Q'ty Per Assembly
101	0344 0060B	Philips Truss Head Screw - M4x6	
102	1106 0193	Bushing - 7.9mm	
103	0313 0140B	Philips Pan Head Screw - M3x14	
104	1105 0310	Harness Clamp - LWS-1S	
105	0314 0060B	Philips Pan Head Screw - M4x6	
106	1106 0459	Bushing - 20.2mm	
107	0354 0060B	Screw - M4X6	
108	0434 0060B	Pan Head Self-tapping Screw - M4x6	
109	0720 0040E	Retaining Ring - M4	
110	0315 0080B	Philips Pan Head Screw - M5x8	
111	1105 0291	Harness Clamp - LWS-3S	

15.DECAL AND DOCUMENT (A831)

<p>1</p>	<p>2</p>			
<p>3</p>				
<p>4</p>	<p>5</p>	<p>6</p>	<p>7</p>	<p>8</p>

15.DECAL AND DOCUMENT (A831)

Index No.	Part No.	Description	Q'ty Per Assembly
1	A821 1860	Decal - Add Staple	1
2	A664 1875	Decal - Bin Caution	1
3	A821 1850	Decal - Misfed Removal	1
4	A831 7812	Decal - Misfeed Remobal	1
5	A821 1865	Decal - R4	1
6	A831 7855	Decal - R5	1
7	A831 7852	Decal - R2	1
8	A831 7851	Decal - R1	1

Index No.	Part No.	Description	Q'ty Per Assembly

Parts Index

Parts Index

Part No.	Description	Page and Index No.
A831 1201	Stapler Guide Stay	9- 1
A831 1342	Reverse Motor - DC2.3V 3A	17- 9
A831 1342	Reverse Motor - DC2.3V 3A	19- 4
A831 1414	Solenoid Bracket	19- 9
A831 1423	Right Guide Plate	23- 21
A831 1431	Left Support Plate	23- 2
A831 1432	Entrance Guide	21- 21
A831 1442	Timing Pulley - 12Z	17- 11
A831 1442	Timing Pulley - 12Z	19- 29
A831 1552	Base Plate - Lower	39- 23
A831 1553	Front Rail	39- 8
A831 1554	Rear Rail	39- 18
A831 1582	Upper Jogger Stay	15- 16
A831 1587	Lower Jogger Stay	15- 21
A831 1593	Adjusting Plate	15- 1
A831 1610	Tightener Bracket	15- 35
A831 1645	Hinge Bracket	3- 14
A831 2301	Exit Guide Plate	37- 6
A831 2302	Reverse Motor Bracket	17- 7
A831 2302	Reverse Motor Bracket	19- 2
A831 2303	Exit Motor Bracket	19- 6
A831 2304	Reverse Solenoid Bracket	19- 28
A831 2307	Spring Plate	25- 9
A831 2310	Guide Plate Bracket	25- 2
A831 2311	Support Plate - Lower Guide	37- 28
A831 2412	Gate Pawl Lever	37- 34
A831 2422	Right Guide Plate	23- 20
A831 2426	Middle Guide Plate	23- 15
A831 2428	Upper Stay	21- 7
A831 2441	Sensor Cover	21- 27
A831 2502	Release Arm	21- 14
A831 2503	Release Arm Stopper	21- 17
A831 2504	Upper Joint Stay	3- 21
A831 2552	Base Bracket	39- 11
A831 2555	Rail Bracket - Front Lower	39- 10

Part No.	Description	Page and Index No.
A831 2556	Rail Bracket - Rear Lower	39- 17
A831 2557	Guide Rail Bracket	39- 6
A831 2558	Guide Roller Bracket	39- 14
A831 2561	Lower Joint Stay	3- 20
A831 2562	Joint Arm	3- 15
A831 2604	Bushing - 4mm	23- 8
A831 2604	Bushing - 4mm	25- 25
A831 2604	Bushing - 4mm	37- 18
A831 2607	Safety Switch Cover	21- 30
A831 2609	Sorter Harness Bracket	17- 2
A831 2621	Lower Separation Plate	39- 2
A831 2622	Upper Separation Plate	39- 1
A831 2641	Front Wheel Bracket	13- 20
A831 2651	Stay	21- 13
A831 2651	Stay	39- 20
A831 2684	Cover Bracket	3- 7
A831 2711	Left Lower Cover	3- 1
A831 2751	Rear Cover	3- 2
A831 2771	Exit Stay	37- 7
A831 3034	Bushing	37- 3
A831 3034	Bushing	25- 7
A831 3034	Bushing	23- 17
A831 3111	Bin	13- 7
A831 3121	Bin End Fence	13- 10
A831 3131	Supporting Bin	13- 15
A831 3201	Inner Cover - Chack	3- 10
A831 3302	Middle Guide Plate - Upper	25- 20
A831 3303	Middle Guide Plate - Lower	25- 21
A831 3304	Lower Right Guide Plate	37- 22
A831 3305	Left Guide Plate	25- 19
A831 3306	Reverse Gate Pawl	37- 10
A831 3307	Gate Pawl Stopper	37- 36
A831 3308	ilder Roller	37- 13
A831 3311	Upper Guide Plate - Left	25- 24
A831 3412	Gate Pawl	37- 16

Part No.	Description	Page and Index No.
A831 3422	Left Guide Plate	23- 9
A831 3498	Timing Pulley - 18Z	37- 19
A831 3498	Timing Pulley - 18Z	23- 5
A831 3498	Timing Pulley - 18Z	25- 11
A831 3511	Release Knob	21- 4
A831 3522	Roller - 20mm	39- 7
A831 3631	Small Grip Cover	21- 5
A831 3711	Upper Cover	3- 5
A831 3721	Front Lower Cover	3- 13
A831 3731	Front Door	3- 17
A831 3741	Front Left Cover	3- 12
A831 3751	Grip Cover	3- 6
A831 3771	Outer Proof Tray	3- 4
A831 3781	Inner Proof Tray	3- 3
A831 4112	Jogger Slide Shaft	15- 32
A831 4121	End Fence Shaft	13- 13
A831 4301	Idler Shaft	37- 11
A831 4302	Drive Shaft - Guide Plate	23- 11
A831 4302	Drive Shaft - Guide Plate	25- 15
A831 4302	Drive Shaft - Guide Plate	37- 21
A831 4438	Entrance Guide Shaft	21- 23
A831 4499	Screw - M4x10	25- 1
A831 4499	Screw - M4x10	23- 1
A831 4499	Screw - M4x10	37- 2
A831 4501	Positioning Pin	39- 12
A831 4502	Roller Shaft	39- 13
A831 4504	Release Shaft	21- 15
A831 4511	Stud Screw - M4	3- 16
A831 4521	Asjusting Shaft	39- 24
A831 5057	Stepping Motor - DC3.2V 2.4A	19- 8
A831 5100	Main Contraol Board	17- 17
A831 5103	EPROM	17- 18
A831 5128	Stepping Motor - DC14.5V 1.36A	15- 29
A831 5200	Drive Harness	17- 20
A831 5210	Sensor Harness	17- 21

Part No.	Description	Page and Index No.
A831 5215	Optical Fiber	17- 16
A831 5220	Sorter Harness	17- 1
A831 5225	Sorter Set Harness	17- 23
A831 5230	Stapler Harness	11- 26
A831 5230	Stapler Harness	9- 18
A831 5240	Stapler H.P Harness	9- 20
A831 5250	Jogger Harness	15- 30
A831 5260	Sensor Harness	39- 21
A831 5260	Sensor Harness	21- 11
A831 5270	Bin Sensor Harness - Upper	21- 9
A831 5280	Bin Sensor Harness - Lower	39- 4
A831 5290	Reverse Sensor Harness	25- 4
A831 5295	Invertor Harness	17- 22
A831 5687	Photointerruptor	37- 8
A831 5801	Stepped Motor - DC5.7V 5.9A	13- 21
A831 5912	Power Cord Bushing	17- 24
A831 5913	Locking Support	17- 8
A831 6102	Timing Belt - B40S3M741	15- 12
A831 6104	Tension Spring	15- 18
A831 6106	Bin Spring	13- 14
A831 6112	Cushion - 17x25x16.5	21- 20
A831 6301	Exit Drive Roller	37- 5
A831 6302	Drive Roller 1	23- 4
A831 6303	Drive Roller 2	37- 25
A831 6304	Antistatic Brush	25- 5
A831 6306	Gate Pawl Spring	37- 35
A831 6307	Guide Plate Spring - Lower Right	37- 30
A831 6308	Front Spling	37- 39
A831 6309	Tenshion Spling	17- 4
A831 6321	Timing Belt - B40S2M76	37- 27
A831 6322	Timing Belt - B40S2M152	37- 26
A831 6323	Timing Belt - B40S2M180	25- 14
A831 6324	Timing Belt - B40S2M264	25- 13
A831 6325	Timing Belt - B60S3M177	19- 1
A831 6351	DC Solenoid - DC24V	19- 27

Part No.	Description	Page and Index No.
A831 6354	Solenoid Cushion	19- 13
A831 6355	Gate Pawl Rubber	37- 37
A831 6402	Discharge Brush	23- 19
A831 6405	Guide Plate Mylar	23- 22
A831 6412	Exit Driven Roller	21- 10
A831 6422	Tension Spring	37- 32
A831 6422	Tension Spring	19- 10
A831 6424	Tension Spring	21- 22
A831 6432	Timing Belt - B40S2M90	23- 7
A831 6434	Timing Belt - B40S2M278	23- 6
A831 6492	Lever Cushion	37- 33
A831 6511	Tension Spring	21- 29
A831 6512	Spring	39- 15
A831 6522	Cushion - 10x18	39- 26
A831 6531	Slide Rail	39- 9
A831 6621	Timing Belt - B40S3M999	17- 6
A831 6622	Timing Belt - B40S3M999	13- 4
A831 6658	Pressure Spring	13- 18
A831 7655	Model Name Plate - Lanier	15- 37
A831 7812	Decal - Misfeed Remobal	31- 4
A831 7812	Decal - Misfeed Remobal	15- 25
A831 7851	Decal - R1	31- 8
A831 7851	Decal - R1	37- 23
A831 7852	Decal - R2	31- 7
A831 7852	Decal - R2	25- 17
A831 7855	Decal - R5	23- 12
A831 7855	Decal - R5	31- 6

Part No.	Description	Page and Index No.
AA04 3348	Timing Belt - 150P3M6	19- 5
AA04 3353	Timing Belt - B100S3M300	13- 12
AA04 3356	Timing Belt - B60S3M1680	15- 5
AA04 3357	Timing Belt - 1110P2M6	9- 12
AA04 3903	Timing Belt - 186T	5- 28
AA04 3904	Timing Belt - B40S2M376	5- 12
AA06 0547	Tension Spring	7- 22
AA06 0548	Tension Spring	15- 3
AA06 0555	Tension Spring	15- 22
AA06 0762	Tension Spring	7- 17
AA06 3528	Pressure Spring	7- 2
AA06 3529	Pressure Spring - 14.5mm	23- 16
AA06 3529	Pressure Spring - 14.5mm	25- 6
AA06 3529	Pressure Spring - 14.5mm	37- 4
AA06 3544	Pressure Spring	11- 5
AA06 6549	Jogger Plate Spring	15- 14
AA06 6558	Spring	11- 17
AA08 0071	Bushing -6x10x6	5- 22
AA08 0072	Bushing - 6x10x3	5- 16
AA08 0072	Bushing - 6x10x3	19- 17
AA08 0238	Bushing - M6	21- 24
AA08 0238	Bushing - M6	37- 38
AA08 2042	Bushing - 6x10x6.5mm	15- 13
AA08 2042	Bushing - 6x10x6.5mm	7- 7
AA13 2152	Spacer - 8x20x1	9- 14
AA13 2152	Spacer - 8x20x1	17- 10
AA13 2152	Spacer - 8x20x1	15- 20
AA14 3314	Stepped Screw - M4x4	5- 8
AA14 3444	Stepped Screw	5- 9
AA14 3462	Idler Stud - M4	37- 29
AA14 3462	Idler Stud - M4	17- 15
AB01 7305	Gear -18/78Z	19- 20
AB03 0216	Pulley - 15Z	5- 2
AB03 0278	Idler - 20z	15- 36
AB03 0278	Idler - 20z	17- 14

Part No.	Description	Page and Index No.
AB03 0374	Timing Pulley - 20Z	23- 23
AB03 0374	Timing Pulley - 20Z	37- 31
AB03 0374	Timing Pulley - 20Z	25- 22
AB03 0393	Timing Pulley - 25Z	15- 19
AB03 0394	Timing Pulley - 30Z	9- 16
AB03 0435	Timing Pulley - 16Z	19- 7
AB03 0437	Timing Pulley - 18Z	13- 22
AB03 0591	Timing Pulley - Drive	5- 21
AB03 0592	Timing Pulley	5- 11
AB03 3051	Timing Pulley - 25Z	15- 11
AF02 2097	Driven Roller	25- 8
AF02 2097	Drive Roller	25- 12
AF02 2097	Driven Roller	23- 18
AG07 0004	Magnetic Catch	21- 2
AG07 1010	Magnet Catch	23- 13
AG07 1010	Magnet Catch	37- 17
AG07 1010	Magnet Catch	25- 18
AH01 2010	Caster - 50m	39- 19
AJ01 1010	Stapler - EH-560	11- 18
AW01 0070	Photosensor - PS-R11D1-B	11- 22
AW02 0022	Photointerruptor	13- 23
AW02 0049	Photointerruptor - OS - 580213-703	39- 3
AW02 0049	Photointerruptor - OS - 580213-703	21- 12
AW02 0075	Photointerruptor	19- 23
AW02 0075	Photointerruptor	15- 8
AW02 0075	Photointerruptor	11- 13
AW02 0075	Photointerruptor	9- 5
AW02 0075	Photointerruptor	5- 17
AW02 0087	Photosensor - LNB4301	21- 8
AW02 0088	Photosensor - PNB4301	39- 5
AX04 0053	DC Motor - 24V/2.2W	19- 24
AX04 0109	DC Stepper Motor - 9W	9- 2
AX05 0129	DC Stepper Motor - 7W	5- 1
AX11 0027	DC Solenoid - 5W	19- 12
G020 2630	Magnetic Catch	23- 14

Part No.	Description	Page and Index No.
A079 4914	Idle Roller - Gate Belt	5- 10
A094 5121	Fuse - 3.15A 250V	17- 19
A300 3812	Spacer - 6x22x1.5	37- 15
A300 3812	Spacer - 6x22x1.5	9- 7
A300 3812	Spacer - 6x22x1.5	21- 18
A300 3812	Spacer - 6x22x1.5	15- 10
A300 3826	Pressre Spping	21- 19
A300 3826	Pressre Spping	37- 14
A354 1261	Pulley - 20Z	21- 25
A354 1266	Torque Limiter Collar	37- 12
A354 1266	Torque Limiter Collar	21- 26
A354 4475	Timing Belt Stopper - Side Fence	15- 31
A377 1631	Upper Wheel Cover	3- 11
A377 1637	Lower Rear Cover Bracket	39- 22
A377 1641	Hinge Bracket	13- 6
A377 1651	Magnet Catch Plate	3- 19
A377 1661	Door Switch Cover	21- 1
A377 1662	Door Switch Actuator	21- 16
A377 2146	Exit Guide Mylar	25- 26
A377 2221	Tightener	17- 3
A377 3136	Rear Left Fixing Plate	13- 1
A377 3145	Helical Wheel Bushing	13- 2
A377 3151	Timing Pulley - 36Z	13- 5
A377 3161	Timing Pulley - 36Z L8/L12	13- 26
A377 3166	Bin Posioning Shutter	13- 25
A377 3202	Stepping Motor Bracket	13- 24
A377 3212	Posioning Sensor Bracket	13- 11
A377 3242	Adjusting Bracket	15- 23
A377 3262	Tension Bracket	13- 16
A377 3315	Link Bracket	19- 18
A377 3321	End Fence Guide	19- 26
A377 3322	End Fence Link	19- 16
A377 3323	Link Shaft	19- 25
A377 3326	Gear - 70Z	19- 21
A377 3331	Harness Cover	19- 14

Part No.	Description	Page and Index No.
A377 3447	Small Guide Roller	13- 9
A377 3546	Guide Roller	13- 8
A377 4112	Upper Jogger Plate Holder	15- 15
A377 4122	Lower Jogger Plate Holder	15- 33
A377 4141	Pulley Bracket	15- 17
A377 4151	Jogger Plate	15- 7
A377 4161	Jogger Sensor Bracket	15- 9
A377 4186	Idler Bracket	15- 2
A377 4216	Timing Pulley - 34Z	15- 28
A377 4466	Cushion	7- 12
A377 4726	Stepped Screw - M4x8x14	17- 12
A377 4726	Stepped Screw - M4x8x14	9- 13
A377 4726	Stepped Screw - M4x8x14	37- 40
A377 4736	Timing Belt Stopper	9- 10
A377 4738	Harness Bracket	11- 24
A377 4741	Roller - M14	9- 11
A377 4742	Slider Guide	9- 19
A422 5270	Photosensor	25- 3
A469 3142	Idle Pulley Stud - Long	13- 17
A499 2444	Middle Belt Roller	5- 24
A499 2444	Middle Belt Roller	9- 4
A555 3231	Bin Guide Roller	7- 9
A606 1595	Small Door Cover	3- 18
A606 1605	Stapler Cover	11- 20
A606 1606	Harness Cover	11- 19
A606 1607	Entrance Guide	11- 21
A606 2328	Junction Gate Cushion	7- 11
A606 2381	Solenoid Link	19- 3
A606 3112	Long Helical Wheel	13- 3
A606 4156	Jogger Cushion	15- 6
A606 4711	Stapler Solenoid	11- 27
A606 4712	Stapler Entrance Guide	11- 25
A606 4728	Pulley - 30Z	9- 6
A606 4831	Stapler Slider	9- 8
A606 4831	Stapler Slider	11- 1

Part No.	Description	Page and Index No.
A606 4837	Roller - 12	9- 9
A606 4837	Roller - 12	39- 16
A606 4841	Slide Rail	11- 2
A606 4851	Middle Bracket	11- 3
A606 4854	Roller - 10	11- 4
A606 4861	Stapler Bracket	11- 7
A606 4864	Lock Lever	11- 16
A606 4865	Lock Lever Grip	11- 15
A606 4866	Lever Shaft - Long	11- 14
A606 4871	Release Lever Bracket	11- 12
A606 4872	Stapler Stop Lever	11- 11
A606 4873	Spring Plate	11- 10
A606 4881	Stepped Screw	11- 9
A606 4882	Guide Plate	9- 3
A606 4883	Spacer	11- 8
A664 1875	Decal - Bin Caution	31- 2
A664 3311	End Fence Bracket	19- 22
A664 4745	Haness Cover	9- 17
A681 6122	Stand Adjuster	39- 25
A821 1176	Paper Stopper	37- 9
A821 1850	Decal - Misfed Removal	15- 24
A821 1850	Decal - Misfed Removal	31- 3
A821 1860	Decal - Add Staple	31- 1
A821 1860	Decal - Add Staple	3- 8
A821 1865	Decal - R4	31- 5
A821 1865	Decal - R4	3- 9
A821 4400	Grip Assembly	5- *
A821 4416	Gripper Bracket	7- 8
A821 4421	Upper Right Arm	7- 13
A821 4426	Left Upper Arm	7- 6
A821 4431	Lower Arm	7- 3
A821 4436	Gripper Arm	7- 4
A821 4441	Shaft - Gripper Arm	7- 1
A821 4446	Drive Shaft	7- 10
A821 4466	Gripper Middle Bracket	7- 21

Part No.	Description	Page and Index No.
A821 4471	Pressure Arm	7- 16
A821 4473	Pressure Arm Roller	7- 15
A821 4481	Pin - Pressure Spring	7- 5
A821 4483	Pin - Roller Pressure	7- 14
A821 4486	Shaft - Gripper	7- 18
A821 4491	Bracket - Belt Stopper	7- 20
A821 4511	Bracket - Gripper Fixing	5- 20
A821 4521	Pressure Cam	5- 26
A821 4531	Pressure Lever	5- 23
A821 4536	Shaft - Pressure Cam	5- 25
A821 4541	Right Link	5- 6
A821 4543	Left Link	5- 3
A821 4546	Right Shaft - Short	5- 19
A821 4547	Left Shaft - Short	5- 18
A821 4551	Pressure Plate	5- 5
A821 4556	Shaft - Pressure Plate	5- 4
A821 4561	Return Lever	5- 7
A821 4571	Lever	5- 14
A821 4581	Slide Shaft	7- 19

Part No.	Description	Page and Index No.
5053 0447	Bushing - 6mm	37- 1
5053 0447	Bushing - 6mm	25- 16
5053 0447	Bushing - 6mm	23- 10
5053 0447	Bushing - 6mm	21- 6
5053 0447	Bushing - 6mm	19- 19
5053 0709	Bushing - 6x10x6mm	25- 10
5053 0709	Bushing - 6x10x6mm	23- 3
5053 0709	Bushing - 6x10x6mm	37- 24
5206 2684	Shoulder Screw - M3	15- 26
5206 2686	Snap Ring	19- 11
5214 1811	Idle Pulley - 20z	15- 34
5324 1658	Bushing- 4x8x4.5mm	5- 13
5413 1882	Stepped Screw	11- 6
5413 1882	Stepped Screw	21- 3
5442 1659	Stepped Screw - M4	11- 23
5442 5839	Angle - Cord Clamp 30	17- 13
5447 2681	Snap Ring	25- 23
5447 2681	Snap Ring	5- 27
5447 2681	Snap Ring	23- 24
5447 2681	Snap Ring	21- 28
5447 2681	Snap Ring	19- 15
5875 2088	Shoulder Screw - M4	11- 28
5887 2245	Spring Anchor	15- 27
5887 2291	Idle Roller	13- 19
5887 4185	Idler Pulley	9- 15
5887 4185	Idler Pulley	15- 4
5887 4185	Idler Pulley	17- 5
5887 4185	Idler Pulley	37- 20
5887 4400	Guide Roller - Driven Unit	5- 15

Part No.	Description	Page and Index No.
0313 0040B	Philips Pan Head Screw - M3x4	19-112
0313 0050B	Philips Pan Head Screw - M3x5	21-101
0313 0050B	Philips Pan Head Screw - M3x5	19-104
0313 0100B	Philips Pan Head Screw - M3x10	15-105
0313 0100B	Philips Pan Head Screw - M3x10	25-105
0313 0140B	Philips Pan Head Screw - M3x14	21-107
0313 0140B	Philips Pan Head Screw - M3x14	39-103
0314 0060B	Philips Pan Head Screw - M4x6	17-106
0314 0060B	Philips Pan Head Screw - M4x6	19-101
0314 0060B	Philips Pan Head Screw - M4x6	15-111
0314 0060B	Philips Pan Head Screw - M4x6	21-110
0314 0060B	Philips Pan Head Screw - M4x6	3-105
0314 0060B	Philips Pan Head Screw - M4x6	39-105
0314 0060B	Philips Pan Head Screw - M4x6	13-101
0314 0080B	Philips Pan Head Screw - M4x8	11-108
0314 0080B	Philips Pan Head Screw - M4x8	17-104
0314 0080B	Philips Pan Head Screw - M4x8	13-108
0314 0080M	Philips Pan Head Screw - M4x8	17-101
0314 0100B	Philips Pan Head Screw - M4x10	19-103
0314 0100B	Philips Pan Head Screw - M4x10	13-105
0314 0100B	Philips Pan Head Screw - M4x10	17-108
0315 0080B	Philips Pan Head Screw - M5x8	39-110
0344 0060B	Philips Truss Head Screw - M4x6	39-101
0344 0060B	Philips Truss Head Screw - M4x6	3-101
0344 0060F	Philips Truss Head Screw - M4x6	21-112
0344 0060F	Philips Truss Head Screw - M4x6	3-106
0344 0080B	Philips Truss Head Screw - M4x8	21-103
0344 0080F	Philips Truss Head Screw - M4x8	3-102
0353 0080B	Screw - M3X8	37-103
0353 0100B	Screw - M3X10	11-106
0354 0060B	Screw - M4X6	39-107
0354 0060B	Screw - M4X6	13-111
0354 0060B	Screw - M4X6	3-104
0354 0060B	Screw - M4X6	11-101
0354 0060B	Screw - M4X6	9-105

Part No.	Description	Page and Index No.
0434 0060B	Pan Head Self-tapping Screw - M4x6	21-102
0434 0060B	Pan Head Self-tapping Screw - M4x6	37-101
0434 0060B	Pan Head Self-tapping Screw - M4x6	39-108
0434 0060B	Pan Head Self-tapping Screw - M4x6	23-103
0434 0060B	Pan Head Self-tapping Screw - M4x6	19-102
0451 3006B	Tapping Screw - M3x6	7-102
0451 3006B	Tapping Screw - M3x6	5-103
0451 4006B	Tapping Screw - 4x6	9-102
0451 4006B	Tapping Screw - 4x6	11-107
0451 4006B	Tapping Screw - 4x6	13-104
0451 4006B	Tapping Screw - 4x6	15-101
0452 3008B	Tapping Screw - M3x8	15-106
0452 3010B	Tapping Bind Screw - M3x10	25-101
0452 4010B	Tapping Bind Screw - M4x10	37-107
0452 4010B	Tapping Bind Screw - M4x10	23-101
0452 4010B	Tapping Bind Screw - M4x10	25-102
0452 4010B	Tapping Bind Screw - M4x10	3-103
0574 0040E	Hexagon Headless Set Screw - M4x4	15-110
0574 0040E	Hexagon Headless Set Screw - M4x4	13-102
0574 0040E	Hexagon Headless Set Screw - M4x4	19-106
0574 0040E	Hexagon Headless Set Screw - M4x4	5-101
0574 0040E	Hexagon Headless Set Screw - M4x4	17-107
0633 0080G	Parallel Pin - 3x8	5-109
0720 0030E	Retaining Ring - M3	5-107
0720 0030E	Retaining Ring - M3	37-106
0720 0030E	Retaining Ring - M3	21-104
0720 0040E	Retaining Ring - M4	19-109
0720 0040E	Retaining Ring - M4	25-104
0720 0040E	Retaining Ring - M4	21-106
0720 0040E	Retaining Ring - M4	15-104
0720 0040E	Retaining Ring - M4	23-102
0720 0040E	Retaining Ring - M4	37-102
0720 0040E	Retaining Ring - M4	11-103
0720 0040E	Retaining Ring - M4	9-104
0720 0040E	Retaining Ring - M4	7-101

Part No.	Description	Page and Index No.
0720 0040E	Retaining Ring - M4	5-105
0720 0040E	Retaining Ring - M4	39-109
0720 0060E	Retaining Ring - M6	17-102
0720 0060E	Retaining Ring - M6	13-109
0720 0060E	Retaining Ring - M6	15-103
0720 0080E	Retaining Ring - M8	15-107
0720 0080E	Retaining Ring - M8	7-103
0741 3006	Ball Bearing - 6x17x6mm	13-103
0741 3506	Ball Bearing - 6x12x4 Mm	5-108
0800 0072	Philips Pan Head Screw - M2.6x4	19-111
0805 3048	Needle Roller Bearing - 6x10x9	7-104
0951 3005B	Philips Screw With Flat Washer M3x5	15-109
0951 3005B	Philips Screw With Flat Washer M3x5	9-106
0951 3005B	Philips Screw With Flat Washer M3x5	19-110
0951 4006B	Philips Screw With Washer - M4x6	17-103
0951 4006B	Philips Screw With Washer - M4x6	5-106
0951 4006B	Philips Screw With Washer - M4x6	15-102
0951 4006B	Philips Screw With Washer - M4x6	13-107
1005 0944	Stepping Motor Cushion	19-105
1005 0946	Stepping Motor Cushion	13-110
1005 0964	Cushion - Stepper Motor	5-102
1105 0196	Harness Clamp	21-108
1105 0231	Clamp	13-106
1105 0234	Clamp	37-105
1105 0267	Harness Clamp - YMC-10-0	11-102
1105 0291	Harness Clamp - LWS-3S	39-111
1105 0291	Harness Clamp - LWS-3S	19-108
1105 0291	Harness Clamp - LWS-3S	21-111
1105 0310	Harness Clamp - LWS-1S	39-104
1105 0310	Harness Clamp - LWS-1S	5-104
1105 0310	Harness Clamp - LWS-1S	15-108
1105 0310	Harness Clamp - LWS-1S	19-107
1105 0310	Harness Clamp - LWS-1S	9-101
1105 0328	Harness Clamp - ES-0505	17-105
1105 0328	Harness Clamp - ES-0505	11-104

Part No.	Description	Page and Index No.
1106 0193	Bushing - 7.9mm	21-109
1106 0193	Bushing - 7.9mm	39-102
1106 0193	Bushing - 7.9mm	9-103
1106 0193	Bushing - 7.9mm	11-105
1106 0241	Bushing - 6.7mm	37-104
1106 0241	Bushing - 6.7mm	25-103
1106 0459	Bushing - 20.2mm	39-106
1204 2384	Interlock Switch	21-105